



The new degree of comfort.™



Residential Gas  
RTG Tankless Water Heaters

## Rheem RTG is a series of ultra low NOx, mid-efficiency tankless gas water heaters designed for continuous hot water

### Efficiency

- .82 EF with all-copper heat exchanger
- Intelligent electronic controls designed to increase energy efficiency and safety
- Third party efficiency listed by AHRI

### Performance

- Industry First! 0.26 GPM minimum flow rate, 0.40 GPM minimum activation flow rate
- RTG-95 for 3 bathroom homes\*– 9.5 gal./min. at 35°F rise max., 7.4 gal./min. at 45°F rise
- RTG-84 for 2-3 bathroom homes\*– 8.4 gal./min. at 35°F rise max., 6.7 gal./min. at 45°F rise
- RTG-64 for 1-2 bathroom homes\*– 6.4 gal./min. at 35°F rise max., 5.6 gal./min. at 45°F rise

### Self-Diagnostic System

- Self-diagnostic system for easy installation and service
- Digital display shows temperature setting and maintenance codes

### Technology

- 3"/5" concentric vent system with Integrated condensate collector
- Hot-start programming helps minimize fluctuation in water temperature, referred to as "cold water sandwich", during periods of frequent on/off operation
- Connects to Metal Fab. Inc., 3"/5" concentric venting without an adapter
- Built-in electric blower
- Exclusive! Guardian OFW™ overheat film wrap
- EZ-Link™ cable available for higher demand applications to connect two tankless units to operate as one
- Manifold up to six units with an optional MIC-6 manifold control board
- Manifold up to 20 units with the optional MIC-185 plus the MICS-180 manifold control assembly

### Low Emissions

- Environmentally friendly ultra low NOx burner meets SCAQMD rule 1146.2 requirements

### High Altitude Compliant

- High-altitude capability – up to 9,840 ft. elevation above sea level

### Plus...

- Digital remote control and 10 ft. of thermostat wire included
- Supplied with a 120-volt power cord (indoor models only)
- Freeze protection to -30°F
- Required manual gas isolation valve included
- EZ- Spec™ Sizing Software – advanced online tool that takes the guess work out of sizing tankless applications – available at [www.rheem.com/tankless](http://www.rheem.com/tankless)

### Warranty

- 12-Year heat exchanger – residential, 5-year heat exchanger – commercial, 5-year parts and 1-year labor

See Warranty Certificate for complete information

### Commercial Applications

RTG Tankless Series can be upgraded for high-temperature commercial and hydronic use.

- Temperature range is 85°F to 185°F

### RTG-95 Upgrade Kits

RTG20236A for RTG-95DVLN  
 RTG20236B for RTG-95DVLP  
 RTG20236C for RTG-95XLN  
 RTG20236D for RTG-95XLP

### RTG-84 Upgrade Kits

RTG20237A for RTG-84DVLN  
 RTG20237B for RTG-84DVLP  
 RTG20237C for RTG-84XLN  
 RTG20237D for RTG-84XLP

Note: These upgrade kits are not compatible with previous models. See the latest Tankless Parts and Accessories Catalog for a complete listing.

\* Based on simultaneous showers using 2.5 gallons per minute. Flow rates vary depending on temperature of cold water supply.



### RTG-DVL

Indoor Direct Vent Model  
11,000-199,900 Btu/h  
Natural and LP Gas



### RTG-XL

Outdoor Model  
11,000-199,900 Btu/h  
Natural and LP Gas



LEED Points = 2



INTEGRATED HOME COMFORT



The new degree of comfort.™



Residential Gas  
RTG Tankless Water Heaters

## Specifications

DESCRIPTION			FEATURES						ROUGHING IN DIMENSIONS (SHOWN IN INCHES)						ENERGY INFO.		
MODEL NUMBER	GAS INPUT BTU/H	TYPE	TEMP. RANGE	MIN. FLOW/ACTIVATION GPM	GPM @ 77° RISE MAX.	GPM @ 45° RISE MAX.	MAX. GPM	CONNECTION WATER	CONNECTION GAS	HEIGHT	WIDTH	DEPTH	VENT DIAM.	SHIP. WEIGHT (LBS.)	ENERGY FACTOR	RECOVERY EFFICIENCY	D.O.E. ANN. OP. COST NAT/LP
<b>RTG-95 ULTRA LOW NOx SERIES FOR 3 BATHROOM HOMES</b>																	
RTG-95DVLN	11,000-199,900	Indoor Direct Vent	85° to 140° F*	0.26/0.40	4.3	7.4	9.5	3/4	3/4	25-5/8	13-7/8	9-7/8	3 by 5 CONCENTRIC	54	.82	84%	\$199/482
RTG-95XLN	11,000-199,900	Outdoor	85° to 140° F*	0.26/0.40	4.3	7.4	9.5	3/4	3/4	23-5/8	13-7/8	8-7/8	N/A	54	.82	83%	\$199/482
<b>RTG-84 ULTRA LOW NOx SERIES FOR 2-3 BATHROOM HOMES</b>																	
RTG-84DVLN	11,000-180,000	Indoor Direct Vent	85° to 140° F	0.26/0.40	3.9	6.7	8.4	3/4	3/4	25-5/8	13-7/8	9-7/8	3 by 5 CONCENTRIC	54	.82	84%	\$199/482
RTG-84XLN	11,000-180,000	Outdoor	85° to 140° F	0.26/0.40	3.9	6.7	8.4	3/4	3/4	23-5/8	13-7/8	8-7/8	N/A	54	.82	83%	\$199/482
<b>RTG-64 ULTRA LOW NOx SERIES FOR 1-2 BATHROOM HOMES</b>																	
RTG-64DVLN	11,000 - 150,000	Indoor Direct Vent	85° to 140° F	0.26/0.40	3.3	5.6	6.4	3/4	3/4	25-5/8	13-7/8	9-7/8	3 by 5 CONCENTRIC	54	.82	84%	\$199/482
RTG-64XLN	11,000 - 150,000	Outdoor	85° to 140° F	0.26/0.40	3.3	5.6	6.4	3/4	3/4	23-5/8	13-7/8	8-7/8	N/A	54	.82	83%	\$199/482

Energy Factor and Average Annual Operating Costs based on 2013 D.O.E. (Department of Energy) test procedures. D.O.E. national average fuel rate natural gas \$1.09/therm; LP \$2.41/gallon.

All models are available in Natural Gas and Propane (LP). For Propane replace the N with P when ordering.

- SCQAMD rule 1146.2 compliant.
- Factory set maximum temperature is 120° F. See Use and Care Manual for setting.
- Consult factory for information on sizing the application.
- Add a "C" to the model number when ordering Canadian models. Outdoor models are only for seasonal use in Canada. Please contact Rheem Canada Ltd. for details.

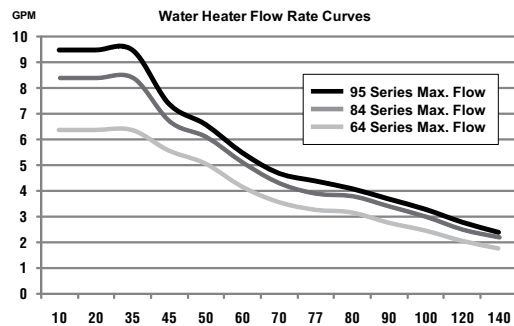
Vent Termination Kits are required for Direct Vent models. Contact your distributor for details.

Proper gas pressure must be ensured to supply tankless gas water heaters – up to 199,900 Btu/h for RTG-95 models, up to 180,000 Btu/h for RTG-84 models and up to 150,000 Btu/h for RTG-64 models. (Consult your gas supplier)

### Temperature Rise (° F)

Model Number	35°	45°	50°	60°	70°	77°	80°	90°	100°
RTG-95 Water Flow (GPM)	9.5	7.4	6.6	5.5	4.7	4.3	4.1	3.7	3.3
RTG-84 Water Flow (GPM)	8.4	6.7	6.1	5.1	4.3	3.9	3.8	3.4	3.0
RTG-64 Water Flow (GPM)	6.4	5.6	5.1	4.2	3.6	3.3	3.2	2.8	2.5

Above estimates are for sizing purposes only.

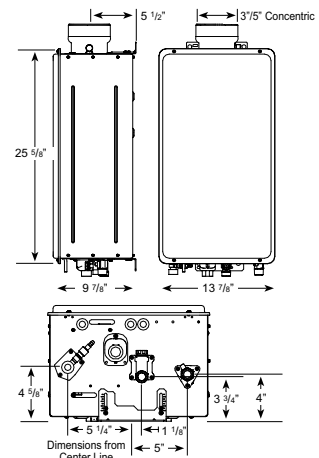


### Maximum Vent Length (intake/outlet):

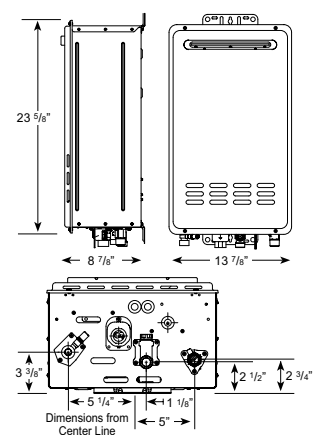
Number of 90° Elbows	Maximum Length of Straight Pipe
1	39.0 ft. (12.0 m)
2	37.5 ft. (11.5 m)
3	36 ft. (11 m)
4	34.5 ft. (10.5 m)
5	33.0 ft. (10.0 m)
6	31.5 ft. (9.5 m)

(Manufacturer approved venting required)

### Indoor Direct Vent



### Outdoor



## Parts and Accessories

Venting & terminations, recess boxes, pipe covers, extra remote controls, EZ-Link™, manifolds and cables, service valve kits, service parts and flush kits

For more information on Tankless parts and accessories, see the Parts and Accessories Catalog or call 866-720-2076.

*In keeping with its policy of continuous progress and product improvement, Rheem reserves the right to make changes without notice.*

Rheem Water Heating • 101 Bell Road  
Montgomery, Alabama 36117-4305 • www.rheem.com

Rheem Canada Ltd./Ltée • 125 Edgeware Road, Unit 1  
Brampton, Ontario L6Y 0P5 • www.rheem.com



INTEGRATED HOME COMFORT