

4AC14

PRODUCT SPECIFICATIONS

14 SEER SPLIT SYSTEM AIR CONDITIONER

FORM NO. 4AC14-100 (06/2015)



- R410A Refrigerant
- High-quality condenser coil with copper tubing and enhanced lanced fin for maximum heat transfer capacity
- Top discharge directs hot air and sound away from living area and shrubbery
- All units factory run tested
- Easy access to electrical panels, pre-wired for easy hook-up
- Liquid line drier shipped loose
- All units ETL and ETL approved and AHRI Certified
- Charged for 15 feet of interconnecting tubing
- High pressure switch factory installed

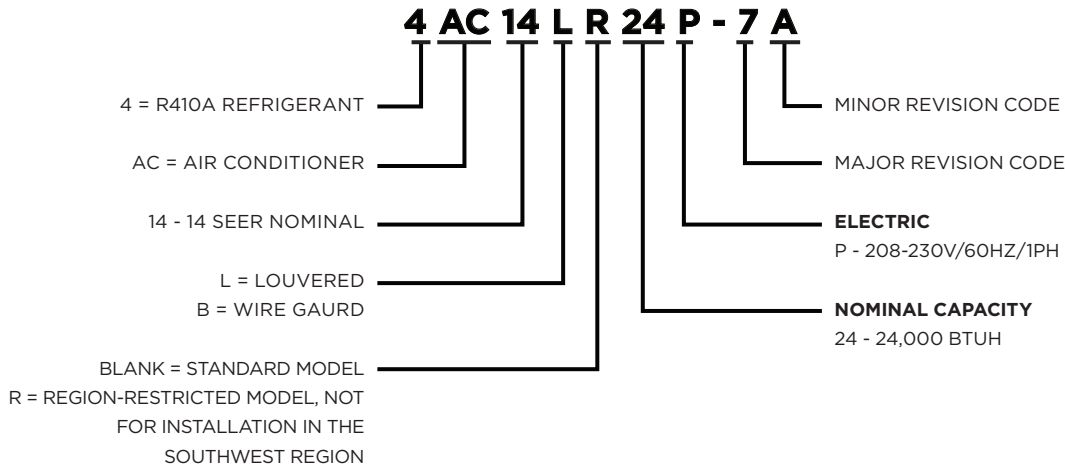
WARRANTY

10 year limited warranty on compressor, 10 year limited warranty on all parts, extended warranty available*

**Warranty provides for a total of 10 years of limited warranty coverage (Standard 5-year limited parts warranty plus an additional 5-year limited extended parts warranty). Warranty must be registered online within 60 days of installation to qualify for 10-year coverage. Unregistered equipment defaults to 5-year coverage. Lifetime limited heat exchanger warranty applies to registered equipment only (Standard 20 years with no online registration). See full warranty at www.alliedair.com for terms, conditions and exclusions.*



MODEL NUMBER GUIDE



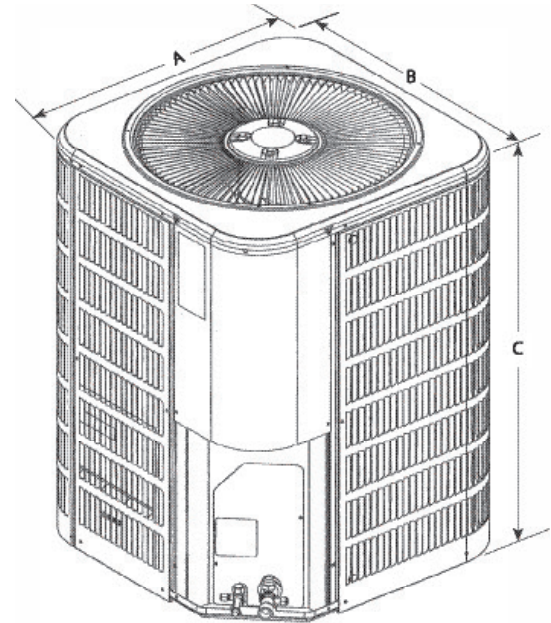
PHYSICAL AND ELECTRICAL DATA

Model	Volts/Hz/Phase	Voltage Range	Min. Circuit Amp.	Max. Over-current Device (amps)	Compressor		Outdoor Fan Motor			Refrig. Charge (oz.)	Shipping Weight (lbs.)
					Rated Load (amps)	Locked Rotor (amps)	Rated Load (amps)	Rated HP	Nom. RPM		
4AC14*18P-6, 7	208-230/60/1	197-253	12.4	20	9.4	56.6	0.7	1/10	1075	77	150
4AC14*R18P-6, 7											
4AC14*24P-6, 7	208-230/60/1	197-253	15.0	25	11.2	60.8	1.0	1/6	825	86	160
4AC14*R24P-6, 7											
4AC14*30P-6, 7	208-230/60/1	197-253	17.0	25	12.8	67.8	1.0	1/6	825	100	180
4AC14*R30P-6, 7											
4AC14*36P-6, 7	208-230/60/1	197-253	18.6	30	14.1	83	1.0	1/6	825	102	185
4AC14*R36P-6, 7											
4AC14L41P-6, 7	208-230/60/1	197-253	22.6	35	16.7	79	1.7	1/4	825	161	210
4AC14*42P-6, 7											
4AC14*R42P-6, 7	208-230/60/1	197-253	24.1	40	17.9	113	1.7	1/4	825	160	208
4AC14L47P-6, 7											
4AC14*48P-6, 7	208-230/60/1	197-253	26.7	45	19.9	109	1.8	1/3	825	179	251
4AC14L47P-6, 7											
4AC14*48P-6, 7	208-230/60/1	197-253	26.6	45	19.8	109	1.7	1/4	825	174	220
4AC14L47P-6, 7											
4AC14L59P-6, 7	208-230/60/1	197-253	34.1	50	25.0	134	2.8	1/3	825	178	235
4AC14*60P-6, 7											
4AC14*60P-6, 7	208-230/60/1	197-253	34.8	60	26.4	134	1.8	1/3	825	192	253
4AC14*60P-6, 7											

Note:
Weights listed are unit weights with packaging
+ Factory charged for 15 feet of line set. Adjust per installation instructions.

UNIT DIMENSIONS & SOUND RATINGS

Model	Dimensions (inch)			Sound Rating (dBA)
	A - Width	B - Depth	C - Height	
4AC14*18P-6, 7	24.25	24.25	29	71
4AC14*R18P-6, 7				
4AC14*24P-6, 7	28.25	28.25	29	76
4AC14*R24P-6, 7				
4AC14*30P-6, 7	28.25	28.25	37	74
4AC14*R30P-6, 7				
4AC14*36P-6, 7	28.25	28.25	37	74
4AC14*R36P-6, 7				
4AC14L41P-6, 7	28.25	28.25	37	76
4AC14*42P-6, 7	28.25	28.25	33	76
4AC14*R42P-6, 7				
4AC14L47P-6, 7	28.25	28.25	37	80
4AC14*48P-6, 7	28.25	28.25	33	80
4AC14L59P-6, 7	32.25	32.25	37	78
4AC14*60P-6, 7	32.25	32.25	37	80



Note:
 Dimensions listed are unit sizes w/o packaging
 * Denotes: "L", "B"

COOLING PERFORMANCE WITH EVAPORATOR COILS AC'S

Outdoor Model	Indoor Model	SEER	EER	AHRI Rated Capacity ¹ BTUH	Sensible Capacity BTUH	CFM	Refrigerant Connection				Refrigerant Line Size		Indoor Expansion Device	
							Outdoor		Indoor		Size		Device	
							Suction	Liquid	Suction	Liquid	Suction	Liquid	Piston ²	TXV
4AC14*18P-6,-7	E*1P23A	14.00	12.20	18000	13000	650	3/4	3/8	3/4	3/8	3/4	3/8	0.053	A4TXV01
	E*1P29A	14.00	12.20	18000		650	3/4	3/8	3/4	3/8	3/4	3/8	0.053	A4TXV01
	E*1P36A	14.00	12.20	18000		650	3/4	3/8	3/4	3/8	3/4	3/8	0.053	A4TXV01
4AC14*R18P-6,-7	E*1P23A	14.00	12.20	18000		650	3/4	3/8	3/4	3/8	3/4	3/8	0.053	A4TXV01
	E*1P29A	14.00	12.20	18000		650	3/4	3/8	3/4	3/8	3/4	3/8	0.053	A4TXV01
	E*1P36A	14.00	12.20	18000		650	3/4	3/8	3/4	3/8	3/4	3/8	0.053	A4TXV01
4AC14*24P-6,-7	E*1P23A	14.00	12.20	23000	17000	850	3/4	3/8	3/4	3/8	3/4	3/8	0.057	A4TXV01
	E*1P29A	14.00	12.20	23000		850	3/4	3/8	3/4	3/8	3/4	3/8	0.057	A4TXV01
	E*1P36A	14.00	12.20	23000		850	3/4	3/8	3/4	3/8	3/4	3/8	0.057	A4TXV01
4AC14*R24P-6,-7	E*1P23A	14.00	12.20	23000		850	3/4	3/8	3/4	3/8	3/4	3/8	0.057	A4TXV01
	E*1P29A	14.00	12.20	23000		850	3/4	3/8	3/4	3/8	3/4	3/8	0.057	A4TXV01
	E*1P30A	14.00	11.50	23000		850	3/4	3/8	3/4	3/8	3/4	3/8	0.057	A4TXV01
E*1P36A	14.00	12.20	23000	850	3/4	3/8	3/4	3/8	3/4	3/8	0.057	A4TXV01		
4AC14*30P-6,-7	E*1P36B	14.00	12.20	28000	21000	1000	3/4	3/8	3/4	3/8	3/4	3/8	0.065	A4TXV01
4AC14*R30P-6,-7	E*1P36B	14.00	12.20	28000		1000	3/4	3/8	3/4	3/8	3/4	3/8	0.065	A4TXV01
4AC14*36P-6,-7	E*1P36B	14.00	12.20	34000	25500	1200	7/8	3/8	7/8	3/8	7/8	3/8	0.071	A4TXV01
	E*1P43B	14.00	12.20	34000		1200	7/8	3/8	7/8	3/8	7/8	3/8	0.071	A4TXV01
4AC14*R36P-6,-7	E*1P36B	14.00	12.20	34000		1200	7/8	3/8	7/8	3/8	7/8	3/8	0.071	A4TXV01
	E*1P43B	14.00	12.20	34000		1200	7/8	3/8	7/8	3/8	7/8	3/8	0.071	A4TXV01
4AC14L41P-6,-7	E*1P49C	14.00	12.20	38000	28000	1400	7/8	3/8	7/8	3/8	7/8	3/8		A4TXV02
	E*1P62C	14.00	12.20	38000		1400	7/8	3/8	7/8	3/8	7/8	3/8		A4TXV02
4AC14*42P-6,-7	E*1P49C	14.00	12.20	40000	30000	1400	7/8	3/8	7/8	3/8	7/8	3/8		A4TXV02
	E*1P62C	14.00	12.20	40000		1400	7/8	3/8	7/8	3/8	7/8	3/8		A4TXV02

COOLING PERFORMANCE WITH EVAPORATOR COILS AC'S

Outdoor Model	Indoor Model	SEER	EER	AHRI Rated Capacity ¹ BTUH	Sensible Capacity BTUH	CFM	Refrigerant Connection				Refrigerant Line Size		Indoor Expansion Device	
	Evap. Coil ³						Outdoor		Indoor		Suction	Liquid	Piston ²	TXV
							Suction	Liquid	Suction	Liquid				
4AC14*R42P-6,-7	E*1P43C	14.00	12.00	40000	30000	1400	7/8	3/8	7/8	3/8	7/8	3/8		A4TXV02
	E*1P49C	14.00	12.20	40000		1400	7/8	3/8	7/8	3/8	7/8	3/8		A4TXV02
	E*1P62C	14.00	12.20	40000		1400	7/8	3/8	7/8	3/8	7/8	3/8		A4TXV02
4AC14L47P-6,-7	E*1P49C	14.00	11.70	46000	35000	1600	7/8	3/8	7/8	3/8	7/8	3/8		A4TXV02
	E*1P62C	14.00	11.70	46000		1600	7/8	3/8	7/8	3/8	7/8	3/8		A4TXV02
	E*1P62D	14.00	11.70	46000		1600	7/8	3/8	7/8	3/8	7/8	3/8		A4TXV02
4AC14*48P-6,-7	E*1P49C	14.00	12.00	46500	34500	1600	7/8	3/8	7/8	3/8	7/8	3/8		A4TXV02
	E*1P62C	14.00	12.00	46500		1600	7/8	3/8	7/8	3/8	7/8	3/8		A4TXV02
	E*1P62D	14.00	12.00	46500		1600	7/8	3/8	7/8	3/8	7/8	3/8		A4TXV02
4AC14L59P-6,-7	E*1P62C	14.00	12.00	58000	41500	1800	1 1/8	3/8	7/8	3/8	1 1/8	3/8		A4TXV02
	E*1P62D	14.00	12.00	58000		1800	1 1/8	3/8	7/8	3/8	1 1/8	3/8		A4TXV02
4AC14*60P-6,-7	E*1P62C	14.00	12.00	58000	42000	1800	1 1/8	3/8	7/8	3/8	1 1/8	3/8		A4TXV02

Note:

¹ Certified in accordance with Unitary Air Conditioner Certification Program, which is based on AHRI Standard 210/240

² Required to achieve AHRI rating. If NA (Not Applicable) is in the piston column, then TXV is required.

³ A blower time delay relay is required to achieve AHRI rating. This feature is standard on all Allied Air Enterprises furnace and AH products.

COOLING PERFORMANCE WITH AIR HANDLERS AND FURNACES

Outdoor Model	Indoor Model	Variable Speed Furnace	SEER	EER	AHRI Rated Capacity ¹ BTUH	Sensible Capacity BTUH	CFM
	Evap. Coil ³						
4AC14*18P-6,-7	BC*3M18C****P		14.00	12.20	18000	13000	650
	BC*3M24E****X		15.10	13.00	18000		650
	BCS2M24V****P		16.00	13.00	18000		650
	E*1P23A	80G1DF045AE12	15.10	13.00	18000		650
	E*1P23A	80G1UH045AE12	15.10	13.00	18000		650
	E*1P23A	80G2UH070AV12	16.00	13.00	18000		650
	E*1P23B	80G2UH090BV16	16.00	13.00	18000		620
	E*1P23B	95G1DF045BE12	15.10	13.00	18000		650
	E*1P23B	95G1DF070BE16	15.10	13.00	18000		625
	E*1P23B	95G1UH045BE12	15.10	13.00	18000		620
	E*1P23B	95G1UH070BE12	15.10	13.00	18000		650
	E*1P23B	95G2DF045BE12	15.10	13.00	18000		650
	E*1P23B	95G2DF070BE16	15.10	13.00	18000		620
	E*1P23B	95G2UH045BE12	15.10	13.00	18000		620
	E*1P23B	95G2UH070BE12	15.10	13.00	18000		650
	E*1P23B	95G2DF045BV12	16.00	13.00	18000		650
	E*1P23B	95G2DF070BV16	15.10	13.00	18000		650
	E*1P23B	95G2UH045BV12	15.10	13.00	18000		650
	E*1P23B	95G2UH070BV12	16.00	13.00	18000		650
	E*1P23B	80G1UH070BE12	15.10	13.00	18000		650
	E*1P23B	80G1DF070BE12	15.10	13.00	18000		650
	E*1P23B	EFV08BC	15.10	13.00	18000		650
	E*1P24A	80G2UH070AV12	15.10	13.00	18000		650
	E*1P24A	80G1DF045AE12	15.10	13.00	18000		650
	E*1P24A	80G1UH045AE12	15.10	13.00	18000		650
	E*1P24B	80G1UH070BE12	15.10	13.00	18000		620
	E*1P24B	80G1DF070BE12	14.50	12.20	18000		650
	E*1P24B	80G2UH090BV16	15.10	13.00	18000		620
	E*1P24B	95G1DF045BE12	15.10	13.00	18000		650
	E*1P24B	95G1DF070BE16	14.50	12.20	18000		620
	E*1P24B	95G1UH045BE12	15.10	13.00	18000		620
	E*1P24B	95G1UH070BE12	14.50	12.20	18000		650
	E*1P24B	95G2DF045BE12	15.10	13.00	18000		650
	E*1P24B	95G2DF070BE16	14.50	12.20	18000		620
	E*1P24B	95G2UH045BE12	15.10	13.00	18000		620
	E*1P24B	95G2UH070BE12	14.50	12.20	18000		650
	E*1P24B	95G2DF045BV12	15.10	13.00	18000		650
	E*1P24B	95G2DF070BV16	15.10	13.00	18000		650
	E*1P24B	95G2UH045BV12	15.10	13.00	18000		650
	E*1P24B	95G2UH070BV12	15.10	13.00	18000		650
E*1P24B	EFV08BC	15.10	13.00	18000	650		
E*1P29A	80G2UH070AV12	16.00	13.00	18000	650		
E*1P29A	80G1DF045AE12	15.10	13.00	18000	650		
E*1P29A	80G1UH045AE12	16.00	13.00	18000	650		

Note:

1 Certified in accordance with Unitary Air Conditioner Certification Program, which is based on AHRI Standard 210/240

2 Required to achieve AHRI rating. If NA (Not Applicable) is in the piston column, then TXV is required

3 A blower time delay relay is required to achieve AHRI rating. This feature is standard on all Allied Air Enterprises furnace and AH products.

COOLING PERFORMANCE WITH AIR HANDLERS AND FURNACES

Outdoor Model	Indoor Model	Variable Speed Furnace	SEER	EER	AHRI Rated Capacity ¹ BTUH	Sensible Capacity BTUH	CFM
	Evap. Coil ²						
4AC14*18P-6,-7	E*1P29B	80GIUH070BE12	15.10	13.00	18000	13000	620
	E*1P29B	80G1DF070BE12	15.10	13.00	18000		650
	E*1P29B	80G2UH090BV16	16.00	13.00	18000		620
	E*1P29B	95G1DF045BE12	15.10	13.00	18000		650
	E*1P29B	95G1DF070BE16	15.10	13.00	18000		620
	E*1P29B	95GIUH045BE12	15.10	13.00	18000		620
	E*1P29B	95GIUH070BE12	15.10	13.00	18000		650
	E*1P29B	95G2DF045BE12	15.10	13.00	18000		650
	E*1P29B	95G2DF070BE16	15.10	13.00	18000		620
	E*1P29B	95G2UH045BE12	15.10	13.00	18000		620
	E*1P29B	95G2UH070BE12	15.10	13.00	18000		650
	E*1P29B	95G2DF045BV12	16.00	13.00	18000		650
	E*1P29B	95G2DF070BV16	16.00	13.00	18000		650
	E*1P29B	95G2UH045BV12	16.00	13.00	18000		650
	E*1P29B	95G2UH070BV12	16.00	13.00	18000		650
	E*1P29B	EFV08BC	15.10	13.00	18000		650
	E*1P30A	80G1DF045AE12	15.10	13.00	18000		650
	E*1P30A	80GIUH045AE12	15.10	13.00	18000		650
	E*1P30A	80G2UH070AV12	16.00	13.00	18000		650
	E*1P30B	80G2UH090BV16	16.00	13.00	18000		620
	E*1P30B	95G1DF045BE12	15.10	13.00	18000		650
	E*1P30B	95G1DF070BE16	15.10	13.00	18000		620
	E*1P30B	95GIUH045BE12	15.10	13.00	18000		620
	E*1P30B	95GIUH070BE12	15.10	13.00	18000		650
	E*1P30B	95G2DF045BE12	15.10	13.00	18000		650
	E*1P30B	95G2DF070BE16	15.10	13.00	18000		620
	E*1P30B	95G2UH045BE12	15.10	13.00	18000		620
	E*1P30B	95G2UH070BE12	15.10	13.00	18000		650
	E*1P30B	95G2DF045BV12	16.00	13.00	18000		650
	E*1P30B	95G2DF070BV16	15.10	13.00	18000		650
	E*1P30B	95G2UH045BV12	15.10	13.00	18000		650
	E*1P30B	95G2UH070BV12	16.00	13.00	18000		650
	E*1P30B	80GIUH070BE12	15.10	13.00	18000		620
	E*1P30B	80G1DF070BE12	15.10	13.00	18000		650
	E*1P30B	EFV08BC	15.10	13.00	18000		650
	E*1P30C	95G2UH090CV12	16.00	13.00	18000		650
	E*1P36A	80G1DF045AE12	16.00	13.00	18000		650
	E*1P36A	80GIUH045AE12	16.00	13.00	18000		650
	E*1P36A	80G2UH070AV12	16.00	13.00	18000		650
	E*1P36B	80G2UH090BV16	16.00	13.00	18000		620
E*1P36B	95G1DF045BE12	15.10	13.00	18000	650		
E*1P36B	95G1DF070BE16	15.10	13.00	18000	620		
E*1P36B	95GIUH045BE12	15.10	13.00	18000	620		
E*1P36B	95GIUH070BE12	15.10	13.00	18000	650		

Note:

1 Certified in accordance with Unitary Air Conditioner Certification Program, which is based on AHRI Standard 210/240

2 Required to achieve AHRI rating. If NA (Not Applicable) is in the piston column, then TXV is required

3 A blower time delay relay is required to achieve AHRI rating. This feature is standard on all Allied Air Enterprises furnace and AH products.

COOLING PERFORMANCE WITH AIR HANDLERS AND FURNACES

Outdoor Model	Indoor Model	Variable Speed Furnace	SEER	EER	AHRI Rated Capacity ¹ BTUH	Sensible Capacity BTUH	CFM
	Evap. Coil ³						
4AC14*18P-6,-7	E*1P36B	95G2DF045BE12	15.10	13.00	18000	13000	650
	E*1P36B	95G2DF070BE16	15.10	13.00	18000		620
	E*1P36B	95G2UH045BE12	15.10	13.00	18000		620
	E*1P36B	95G2UH070BE12	15.10	13.00	18000		650
	E*1P36B	95G2DF045BV12	16.00	13.00	18000		650
	E*1P36B	95G2DF070BV16	16.00	13.00	18000		650
	E*1P36B	95G2UH045BV12	16.00	13.00	18000		650
	E*1P36B	95G2UH070BV12	16.00	13.00	18000		650
	E*1P36B	80G1UH070BE12	15.10	13.00	18000		620
	E*1P36B	80G1DF070BE12	15.10	13.00	18000		650
	E*1P36B	EFV08BC	15.10	13.00	18000		650
	E*1P36C	95G2UH090CV12	16.00	13.00	18000		650
4AC14*R18P-6,-7	BC*3M18C****P		14.00	12.20	18000	13000	650
	BC*3M24E****X		15.10	13.00	18000		650
	BCS2M24V****P		16.00	13.00	18000		650
	E*1P18A	80G1DF045AE12	15.10	13.00	18000		665
	E*1P18A	80G2UH070AV12	15.10	13.00	18000		645
	E*1P18A	80G1UH045AE12	15.10	13.00	18000		650
	E*1P19A	80G1UH045AE12	15.10	13.00	18000		650
	E*1P19A	80G1DF045AE12	15.10	13.00	18000		650
	E*1P19A	80G2UH070AV12	15.10	13.00	18000		650
	E*1P23A	80G2UH070AV12	16.00	13.00	18000		650
	E*1P23A	80G1DF045AE12	15.10	13.00	18000		650
	E*1P23B	80G1DF070BE12	15.10	13.00	18000		650
	E*1P23B	80G1UH070BE12	15.10	13.00	18000		650
	E*1P23B	80G2UH090BV16	16.00	13.00	18000		620
	E*1P23B	95G1DF045BE12	15.10	13.00	18000		650
	E*1P23B	95G1DF070BE16	15.10	13.00	18000		625
	E*1P23B	95G1UH045BE12	15.10	13.00	18000		620
	E*1P23B	95G1UH070BE12	15.10	13.00	18000		650
	E*1P23B	95G2DF045BE12	15.10	13.00	18000		650
	E*1P23B	95G2DF070BE16	15.10	13.00	18000		620
	E*1P23B	95G2UH045BE12	15.10	13.00	18000		620
	E*1P23B	95G2UH070BE12	15.10	13.00	18000		650
	E*1P23B	95G2DF045BV12	16.00	13.00	18000		650
	E*1P23B	95G2DF070BV16	15.10	13.00	18000		650
	E*1P23B	95G2UH045BV12	15.10	13.00	18000		650
	E*1P23B	95G2UH070BV12	16.00	13.00	18000		650
	E*1P23B	EFV08BC	15.10	13.00	18000		650
	E*1P24A	80G1DF045AE12	15.10	13.00	18000		650
	E*1P24A	80G2UH070AV12	15.10	13.00	18000		650
	E*1P24A	80G1UH045AE12	15.10	13.00	18000		650
	E*1P24B	80G2UH090BV16	15.10	13.00	18000		620
	E*1P24B	95G1DF045BE12	15.10	13.00	18000		650

Note:

1 Certified in accordance with Unitary Air Conditioner Certification Program, which is based on AHRI Standard 210/240

2 Required to achieve AHRI rating. If NA (Not Applicable) is in the piston column, then TXV is required

3 A blower time delay relay is required to achieve AHRI rating. This feature is standard on all Allied Air Enterprises furnace and AH products.

COOLING PERFORMANCE WITH AIR HANDLERS AND FURNACES

Outdoor Model	Indoor Model	Variable Speed Furnace	SEER	EER	AHRI Rated Capacity ¹ BTUH	Sensible Capacity BTUH	CFM
	Evap. Coil ²						
4AC14*RT8P-6,-7	E*1P24B	95G1DF070BE16	14.50	12.20	18000	13000	620
	E*1P24B	95G1UH045BE12	15.10	13.00	18000		620
	E*1P24B	95G1UH070BE12	14.50	12.20	18000		650
	E*1P24B	95G2DF045BE12	15.10	13.00	18000		650
	E*1P24B	95G2DF070BE16	14.50	12.20	18000		620
	E*1P24B	95G2UH045BE12	15.10	13.00	18000		620
	E*1P24B	95G2UH070BE12	14.50	12.20	18000		650
	E*1P24B	95G2DF045BV12	15.10	13.00	18000		650
	E*1P24B	95G2DF070BV16	15.10	13.00	18000		650
	E*1P24B	95G2UH045BV12	15.10	13.00	18000		650
	E*1P24B	95G2UH070BV12	15.10	13.00	18000		650
	E*1P24B	80G1DF070BE12	14.50	12.20	18000		650
	E*1P24B	80G1UH070BE12	15.10	13.00	18000		620
	E*1P24B	EFV08BC	15.10	13.00	18000		650
	E*1P29A	80G2UH070AV12	16.00	13.00	18000		650
	E*1P29A	80G1DF045AE12	15.10	13.00	18000		650
	E*1P29A	80G1UH045AE12	15.10	13.00	18000		650
	E*1P29B	80G1DF070BE12	15.10	13.00	18000		650
	E*1P29B	80G1UH070BE12	15.10	13.00	18000		620
	E*1P29B	80G2UH090BV16	16.00	13.00	18000		620
	E*1P29B	95G1DF045BE12	15.10	13.00	18000		650
	E*1P29B	95G1DF070BE16	15.10	13.00	18000		620
	E*1P29B	95G1UH045BE12	15.10	13.00	18000		620
	E*1P29B	95G1UH070BE12	15.10	13.00	18000		650
	E*1P29B	95G2DF045BE12	15.10	13.00	18000		650
	E*1P29B	95G2DF070BE16	15.10	13.00	18000		620
	E*1P29B	95G2UH045BE12	15.10	13.00	18000		620
	E*1P29B	95G2UH070BE12	15.10	13.00	18000		650
	E*1P29B	95G2DF045BV12	16.00	13.00	18000		650
	E*1P29B	95G2DF070BV16	16.00	13.00	18000		650
	E*1P29B	95G2UH045BV12	16.00	13.00	18000		650
	E*1P29B	95G2UH070BV12	16.00	13.00	18000		650
	E*1P29B	EFV08BC	15.10	13.00	18000		650
	E*1P30A	80G1DF045AE12	15.10	13.00	18000		650
	E*1P30A	80G2UH070AV12	16.00	13.00	18000		650
	E*1P30A	80G1UH045AE12	15.10	13.00	18000		650
	E*1P30B	80G2UH090BV16	16.00	13.00	18000		620
	E*1P30B	95G1DF045BE12	15.10	13.00	18000		650
	E*1P30B	95G1DF070BE16	15.10	13.00	18000		620
	E*1P30B	95G1UH045BE12	15.10	13.00	18000		620
E*1P30B	95G1UH070BE12	15.10	13.00	18000	650		
E*1P30B	95G2DF045BE12	15.10	13.00	18000	650		
E*1P30B	95G2DF070BE16	15.10	13.00	18000	620		
E*1P30B	95G2UH045BE12	15.10	13.00	18000	620		

Note:

1 Certified in accordance with Unitary Air Conditioner Certification Program, which is based on AHRI Standard 210/240

2 Required to achieve AHRI rating. If NA (Not Applicable) is in the piston column, then TXV is required

3 A blower time delay relay is required to achieve AHRI rating. This feature is standard on all Allied Air Enterprises furnace and AH products.

COOLING PERFORMANCE WITH AIR HANDLERS AND FURNACES

Outdoor Model	Indoor Model	Variable Speed Furnace	SEER	EER	AHRI Rated Capacity ¹ BTUH	Sensible Capacity BTUH	CFM
	Evap. Coil ³						
4AC14*R18P-6,-7	E*1P30B	95G2UH070BE12	15.10	13.00	18000	13000	650
	E*1P30B	95G2DF045BV12	16.00	13.00	18000		650
	E*1P30B	95G2DF070BV16	15.10	13.00	18000		650
	E*1P30B	95G2UH045BV12	15.10	13.00	18000		650
	E*1P30B	95G2UH070BV12	16.00	13.00	18000		650
	E*1P30B	EFV08BC	15.10	13.00	18000		650
	E*1P30B	80G1DF070BE12	15.10	13.00	18000		650
	E*1P30B	80G1UH070BE12	15.10	13.00	18000		620
	E*1P30C	95G2UH090CV12	16.00	13.00	18000		650
	E*1P36A	80G1DF045AE12	16.00	13.00	18000		650
	E*1P36A	80G2UH070AV12	16.00	13.00	18000		650
	E*1P36A	80G1UH045AE12	15.10	13.00	18000		650
	E*1P36B	80G2UH090BV16	16.00	13.00	18000		620
	E*1P36B	95G1DF045BE12	15.10	13.00	18000		650
	E*1P36B	95G1DF070BE16	15.10	13.00	18000		620
	E*1P36B	95G1UH045BE12	15.10	13.00	18000		620
	E*1P36B	95G1UH070BE12	15.10	13.00	18000		650
	E*1P36B	95G2DF045BE12	15.10	13.00	18000		650
	E*1P36B	95G2DF070BE16	15.10	13.00	18000		620
	E*1P36B	95G2UH045BE12	15.10	13.00	18000		620
	E*1P36B	95G2UH070BE12	15.10	13.00	18000		650
	E*1P36B	95G2DF045BV12	16.00	13.00	18000		650
	E*1P36B	95G2DF070BV16	16.00	13.00	18000		650
	E*1P36B	95G2UH045BV12	16.00	13.00	18000		650
	E*1P36B	95G2UH070BV12	16.00	13.00	18000		650
	E*1P36B	80G1DF070BE12	15.10	13.00	18000		650
	E*1P36B	80G1UH070BE12	15.10	13.00	18000		620
	E*1P36B	EFV08BC	15.10	13.00	18000		650
E*1P36C	95G2UH090CV12	16.00	13.00	18000	650		
4AC14*24P-6,-7	BC*3M24C****P		14.00	12.20	23000	17000	850
	BC*3M30E****X		15.10	13.00	23000		850
	BCS2M24V****P		16.00	13.00	23000		850
	E*1P23A	80G1DF045AE12	15.10	13.00	23000		790
	E*1P23A	80G1UH045AE12	15.10	12.50	23000		850
	E*1P23A	80G2UH070AV12	15.10	13.00	23000		850
	E*1P23B	80G2UH090BV16	15.10	12.50	23000		800
	E*1P23B	95G1UH070BE12	15.10	12.50	23000		800
	E*1P23B	95G2UH070BE12	15.10	12.50	23000		800
	E*1P23B	95G2DF045BV12	15.10	12.50	23000		850
	E*1P23B	95G2DF070BV16	14.50	12.20	23000		850
	E*1P23B	95G2UH045BV12	15.10	12.50	23000		850
	E*1P23B	95G2UH070BV12	15.10	13.00	23000		850
	E*1P23B	80G1UH070BE12	15.10	13.00	23000		800
	E*1P23B	80G1DF070BE12	15.10	13.00	23000		850

Note:

1 Certified in accordance with Unitary Air Conditioner Certification Program, which is based on AHRI Standard 210/240

2 Required to achieve AHRI rating. If NA (Not Applicable) is in the piston column, then TXV is required

3 A blower time delay relay is required to achieve AHRI rating. This feature is standard on all Allied Air Enterprises furnace and AH products.

COOLING PERFORMANCE WITH AIR HANDLERS AND FURNACES

Outdoor Model	Indoor Model	Variable Speed Furnace	SEER	EER	AHRI Rated Capacity ¹ BTUH	Sensible Capacity BTUH	CFM
	Evap. Coil ²						
4AC14*24P-6,-7	E*1P23B	EFV08BC	15.10	12.50	23000	17000	850
	E*1P24A	80G1DF045AE12	14.50	12.20	23000		790
	E*1P24A	80G1UH045AE12	14.50	12.20	23000		850
	E*1P24A	80G2UH070AV12	14.50	12.20	23000		850
	E*1P24B	80G2UH090BV16	14.50	12.20	23000		800
	E*1P24B	95G1UH070BE12	14.50	12.20	23000		800
	E*1P24B	95G2UH070BE12	14.50	12.20	23000		800
	E*1P24B	95G2DF045BV12	14.50	12.20	23000		850
	E*1P24B	95G2DF070BV16	14.50	12.20	23000		850
	E*1P24B	95G2UH045BV12	14.50	12.20	23000		850
	E*1P24B	95G2UH070BV12	14.50	12.20	23000		850
	E*1P24B	80G1UH070BE12	14.50	12.20	23000		800
	E*1P24B	80G1DF070BE12	14.50	12.20	23000		850
	E*1P24B	EFV08BC	14.50	12.20	23000		850
	E*1P29A	80G2UH070AV12	15.10	13.00	23000		850
	E*1P29A	80G1DF045AE12	15.10	13.00	23000		790
	E*1P29A	80G1UH045AE12	15.10	13.00	23000		850
	E*1P29B	80G1UH070BE12	15.10	13.00	23000		800
	E*1P29B	80G1DF070BE12	15.10	13.00	23000		850
	E*1P29B	80G2UH090BV16	15.10	13.00	23000		800
	E*1P29B	95G1UH070BE12	15.10	13.00	23000		800
	E*1P29B	95G2UH070BE12	15.10	13.00	23000		800
	E*1P29B	95G2DF045BV12	15.10	13.00	23000		850
	E*1P29B	95G2DF070BV16	15.10	12.50	23000		850
	E*1P29B	95G2UH045BV12	15.10	13.00	23000		850
	E*1P29B	95G2UH070BV12	15.10	13.00	23000		850
	E*1P29B	EFV08BC	15.10	12.50	23000		850
	E*1P30A	80G1UH045AE12	15.10	12.50	23000		850
	E*1P30A	80G1DF045AE12	15.10	13.00	23000		800
	E*1P30A	80G2UH070AV12	15.10	13.00	23000		850
	E*1P30B	80G2UH090BV16	15.10	12.50	23000		800
	E*1P30B	95G1UH070BE12	15.10	12.50	23000		800
	E*1P30B	95G2UH070BE12	15.10	12.50	23000		800
	E*1P30B	95G2DF045BV12	15.10	12.50	23000		850
	E*1P30B	95G2DF070BV16	14.50	12.20	23000		850
	E*1P30B	95G2UH045BV12	15.10	12.50	23000		850
	E*1P30B	95G2UH070BV12	15.10	12.50	23000		850
	E*1P30B	EFV08BC	14.50	12.20	23000		850
	E*1P30B	80G1DF070BE12	15.10	13.00	23000		850
	E*1P30B	80G1UH070BE12	15.10	13.00	23000		800
E*1P30C	95G2UH090CV12	15.10	13.00	23000	850		
E*1P36A	80G1DF045AE12	15.10	13.00	23000	800		
E*1P36A	80G1UH045AE12	15.10	13.00	23000	850		
E*1P36A	80G2UH070AV12	16.00	13.00	23000	850		

Note:

1 Certified in accordance with Unitary Air Conditioner Certification Program, which is based on AHRI Standard 210/240

2 Required to achieve AHRI rating. If NA (Not Applicable) is in the piston column, then TXV is required

3 A blower time delay relay is required to achieve AHRI rating. This feature is standard on all Allied Air Enterprises furnace and AH products.

COOLING PERFORMANCE WITH AIR HANDLERS AND FURNACES

Outdoor Model	Indoor Model	Variable Speed Furnace	SEER	EER	AHRI Rated Capacity ¹ BTUH	Sensible Capacity BTUH	CFM
	Evap. Coil ³						
4AC14*24P-6,-7	E*1P36B	80G2UH090BV16	15.10	13.00	23000	17000	800
	E*1P36B	95G1DF045BE12	14.00	12.20	23000		850
	E*1P36B	95G1DF070BE16	14.00	12.20	23000		850
	E*1P36B	95G1UH045BE12	14.00	12.20	23000		850
	E*1P36B	95G1UH070BE12	15.10	13.00	23000		800
	E*1P36B	95G2DF045BE12	14.00	12.20	23000		850
	E*1P36B	95G2DF070BE16	14.00	12.20	23000		850
	E*1P36B	95G2UH045BE12	14.00	12.20	23000		850
	E*1P36B	95G2UH070BE12	15.10	13.00	23000		800
	E*1P36B	95G2DF045BV12	15.10	13.00	23000		850
	E*1P36B	95G2DF070BV16	15.10	12.50	23000		850
	E*1P36B	95G2UH045BV12	15.10	13.00	23000		850
	E*1P36B	95G2UH070BV12	15.10	13.00	23000		850
	E*1P36B	80G1UH070BE12	15.10	13.00	23000		820
	E*1P36B	80G1DF070BE12	15.10	13.00	23000		850
	E*1P36B	EFV08BC	15.10	13.00	23000		850
	E*1P36C	95G2UH090CV12	16.00	13.00	23000		850
	4AC14*R24P-6,-7	BC*3M24C****P		14.00	12.20		23000
BC*3M30E****X			15.10	13.00	23000	850	
BCS2M24V****P			16.00	13.00	23000	850	
E*1P18A		80G1UH045AE12	15.10	13.00	23000	850	
E*1P18A		80G1DF045AE12	15.10	13.00	23000	790	
E*1P18A		80G2UH070AV12	15.10	13.00	23000	850	
E*1P19A		80G1DF045AE12	15.10	13.00	23000	790	
E*1P19A		80G2UH070AV12	15.10	13.00	23000	850	
E*1P19A		80G1UH045AE12	15.10	13.00	23000	850	
E*1P23A		80G1UH045AE12	15.10	13.00	23000	850	
E*1P23A		80G1DF045AE12	15.10	13.00	23000	790	
E*1P23A		80G2UH070AV12	15.10	13.00	23000	850	
E*1P23B		80G2UH090BV16	15.10	12.50	23000	800	
E*1P23B		95G1UH070BE12	15.10	12.50	23000	800	
E*1P23B		95G2UH070BE12	15.10	12.50	23000	800	
E*1P23B		95G2DF045BV12	15.10	12.50	23000	850	
E*1P23B		95G2DF070BV16	14.50	12.20	23000	850	
E*1P23B		95G2UH045BV12	15.10	12.50	23000	850	
E*1P23B		95G2UH070BV12	15.10	13.00	23000	850	
E*1P23B		80G1DF070BE12	15.10	13.00	23000	850	
E*1P23B		80G1UH070BE12	15.10	13.00	23000	800	
E*1P23B		EFV08BC	15.10	12.50	23000	850	
E*1P23B		80G2UH070AV12	15.10	13.00	23000	850	
E*1P24A		80G1DF045AE12	14.50	12.20	23000	790	
E*1P24A	80G2UH070AV12	14.50	12.20	23000	850		
E*1P24B	80G2UH090BV16	14.50	12.20	23000	800		
E*1P24B	95G1UH070BE12	14.50	12.20	23000	800		

Note:

1 Certified in accordance with Unitary Air Conditioner Certification Program, which is based on AHRI Standard 210/240

2 Required to achieve AHRI rating. If NA (Not Applicable) is in the piston column, then TXV is required

3 A blower time delay relay is required to achieve AHRI rating. This feature is standard on all Allied Air Enterprises furnace and AH products.

COOLING PERFORMANCE WITH AIR HANDLERS AND FURNACES

Outdoor Model	Indoor Model	Variable Speed Furnace	SEER	EER	AHRI Rated Capacity ¹ BTUH	Sensible Capacity BTUH	CFM
	Evap. Coil ²						
4AC14*R24P-6,-7	E*1P24B	95G2UH070BE12	14.50	12.20	23000	17000	800
	E*1P24B	95G2DF045BV12	14.50	12.20	23000		850
	E*1P24B	95G2DF070BV16	14.50	12.20	23000		850
	E*1P24B	95G2UH045BV12	14.50	12.20	23000		850
	E*1P24B	95G2UH070BV12	14.50	12.20	23000		850
	E*1P24B	80G1DF070BE12	14.50	12.20	23000		850
	E*1P24B	80G1UH070BE12	14.50	12.20	23000		800
	E*1P24B	EFV08BC	14.50	12.20	23000		850
	E*1P29A	80G1DF045AE12	15.10	13.00	23000		790
	E*1P29A	80G2UH070AV12	15.10	13.00	23000		850
	E*1P29B	80G2UH090BV16	15.10	13.00	23000		800
	E*1P29B	95G1UH070BE12	15.10	13.00	23000		800
	E*1P29B	95G2UH070BE12	15.10	13.00	23000		800
	E*1P29B	95G2DF045BV12	15.10	13.00	23000		850
	E*1P29B	95G2DF070BV16	15.10	12.50	23000		850
	E*1P29B	95G2UH045BV12	15.10	13.00	23000		850
	E*1P29B	95G2UH070BV12	15.10	13.00	23000		850
	E*1P29B	80G1DF070BE12	15.10	13.00	23000		850
	E*1P29B	80G1UH070BE12	15.10	13.00	23000		800
	E*1P29B	EFV08BC	15.10	12.50	23000		850
	E*1P30A	80G1DF045AE12	15.10	13.00	23000		800
	E*1P30A	80G2UH070AV12	15.10	13.00	23000		850
	E*1P30B	80G2UH090BV16	15.10	12.50	23000		800
	E*1P30B	95G1UH070BE12	15.10	12.50	23000		800
	E*1P30B	95G2UH070BE12	15.10	12.50	23000		800
	E*1P30B	95G2DF045BV12	15.10	12.50	23000		850
	E*1P30B	95G2DF070BV16	14.50	12.20	23000		850
	E*1P30B	95G2UH045BV12	15.10	12.50	23000		850
	E*1P30B	95G2UH070BV12	15.10	12.50	23000		850
	E*1P30B	EFV08BC	14.50	12.20	23000		850
	E*1P30B	80G1DF070BE12	15.10	13.00	23000		850
	E*1P30B	80G1UH070BE12	15.10	13.00	23000		800
	E*1P30C	95G2UH090CV12	15.10	13.00	23000		850
	E*1P36A	80G2UH070AV12	16.00	13.00	23000		850
	E*1P36A	80G1DF045AE12	15.10	13.00	23000		800
	E*1P36B	80G1DF070BE12	15.10	13.00	23000		850
	E*1P36B	80G1UH070BE12	15.10	13.00	23000		820
	E*1P36B	80G2UH090BV16	15.10	13.00	23000		800
	E*1P36B	95G1DF045BE12	14.00	12.20	23000		850
	E*1P36B	95G1DF070BE16	14.00	12.20	23000		850
E*1P36B	95G1UH045BE12	14.00	12.20	23000	850		
E*1P36B	95G1UH070BE12	15.10	13.00	23000	800		
E*1P36B	95G2DF045BE12	14.00	12.20	23000	850		
E*1P36B	95G2DF070BE16	14.00	12.20	23000	850		

Note:

1 Certified in accordance with Unitary Air Conditioner Certification Program, which is based on AHRI Standard 210/240

2 Required to achieve AHRI rating. If NA (Not Applicable) is in the piston column, then TXV is required

3 A blower time delay relay is required to achieve AHRI rating. This feature is standard on all Allied Air Enterprises furnace and AH products.

COOLING PERFORMANCE WITH AIR HANDLERS AND FURNACES

Outdoor Model	Indoor Model	Variable Speed Furnace	SEER	EER	AHRI Rated Capacity ¹ BTUH	Sensible Capacity BTUH	CFM
	Evap. Coil ³						
4AC14*R24P-6,-7	E*1P36B	95G2UH045BE12	14.00	12.20	23000	17000	850
	E*1P36B	95G2UH070BE12	15.10	13.00	23000		800
	E*1P36B	95G2DF045BV12	15.10	13.00	23000		850
	E*1P36B	95G2DF070BV16	15.10	12.50	23000		850
	E*1P36B	95G2UH045BV12	15.10	13.00	23000		850
	E*1P36B	95G2UH070BV12	15.10	13.00	23000		850
	E*1P36B	EFV08BC	15.10	13.00	23000		850
	E*1P36C	95G2UH090CV12	16.00	13.00	23000		850
4AC14*30P-6,-7	BC*3M30C****P		14.00	12.20	28000	21000	1000
	BC*3M30E****X		15.10	13.00	28000		1000
	BCS2M36V****P		16.00	13.00	28000		1000
	E*1P29A	80G1DF045AE12	15.10	13.00	28000		1000
	E*1P29A	80G2UH070AV12	15.10	13.00	28000		1000
	E*1P29A	80G1UH045AE12	15.10	13.00	28000		1000
	E*1P29B	80G1UH070BE12	15.10	13.00	28000		1000
	E*1P29B	80G1UH090BE16	15.10	13.00	28000		1000
	E*1P29B	EFV12BC	14.50	12.20	28000		1000
	E*1P29B	80G2UH090BV16	15.10	13.00	28000		1000
	E*1P29B	95G1DF045BE12	15.10	13.00	28000		1000
	E*1P29B	95G1DF070BE16	15.10	13.00	28000		1000
	E*1P29B	95G1UH045BE12	15.10	13.00	28000		1000
	E*1P29B	95G1UH070BE12	15.10	13.00	28000		1000
	E*1P29B	95G2DF045BE12	15.10	13.00	28000		980
	E*1P29B	95G2DF070BE16	15.10	13.00	28000		1000
	E*1P29B	95G2UH045BE12	15.10	13.00	28000		1000
	E*1P29B	95G2UH070BE12	15.10	13.00	28000		1000
	E*1P29B	95G2DF045BV12	15.10	13.00	28000		960
	E*1P29B	95G2DF070BV16	15.10	13.00	28000		1000
	E*1P29B	95G2UH045BV12	15.10	13.00	28000		980
	E*1P29B	95G2UH070BV12	15.10	13.00	28000		960
	E*1P29B	80G1DF070BE12	15.10	13.00	28000		1000
	E*1P29B	80G1DF090BE16	15.10	13.00	28000		1000
	E*1P36A	80G2UH070AV12	16.00	13.00	28000		1000
	E*1P36A	80G1DF045AE12	15.10	13.00	28000		1000
	E*1P36A	80G1UH045AE12	15.10	13.00	28000		1000
	E*1P36B	80G1UH070BE12	16.00	13.00	28000		1000
	E*1P36B	80G1UH090BE16	16.00	13.00	28000		1000
	E*1P36B	80G1DF070BE12	16.00	13.00	28000		1000
	E*1P36B	80G1DF090BE16	16.00	13.00	28000		1000
	E*1P36B	EFV12BC	14.50	12.20	28000		1000
E*1P36B	80G2UH090BV16	16.00	13.00	28000	1000		
E*1P36B	95G1DF045BE12	15.10	13.00	28000	1000		
E*1P36B	95G1DF070BE16	15.10	13.00	28000	1000		
E*1P36B	95G1UH045BE12	15.10	13.00	28000	1000		

Note:

1 Certified in accordance with Unitary Air Conditioner Certification Program, which is based on AHRI Standard 210/240

2 Required to achieve AHRI rating. If NA (Not Applicable) is in the piston column, then TXV is required

3 A blower time delay relay is required to achieve AHRI rating. This feature is standard on all Allied Air Enterprises furnace and AH products.

COOLING PERFORMANCE WITH AIR HANDLERS AND FURNACES

Outdoor Model	Indoor Model	Variable Speed Furnace	SEER	EER	AHRI Rated Capacity ¹ BTUH	Sensible Capacity BTUH	CFM
	Evap. Coil ²						
4AC14*30P-6,-7	E*1P36B	95G1UH070BE12	15.10	13.00	28000	21000	1000
	E*1P36B	95G2DF045BE12	15.10	13.00	28000		980
	E*1P36B	95G2DF070BE16	15.10	13.00	28000		1000
	E*1P36B	95G2UH045BE12	15.10	13.00	28000		1015
	E*1P36B	95G2UH070BE12	15.10	13.00	28000		995
	E*1P36B	95G2DF045BV12	15.10	13.00	28000		960
	E*1P36B	95G2DF070BV16	15.10	13.00	28000		1000
	E*1P36B	95G2UH045BV12	15.10	13.00	28000		980
	E*1P36B	95G2UH070BV12	16.00	13.00	28000		960
	E*1P36C	95G2UH090CV12	16.00	13.00	28000		1000
	E*1P36C	95G2UH090CE16	14.50	12.20	28000		1000
	E*1P36C	95G2DF090CE20	15.10	13.00	28000		990
	E*1P36C	95G1UH090CE16	15.10	13.00	28000		1000
	E*1P36C	95G1DF090CE16	15.10	13.00	28000		1000
4AC14*R30P-6,-7	BC*3M30C****P		14.00	12.20	28000	21000	1000
	BC*3M30E****X		15.10	13.00	28000		1000
	BCS2M36V****P		16.00	13.00	28000		1000
	E*1P19A	80G1DF045AE12	14.25	12.00	28000		1000
	E*1P19A	80G1UH045AE12	14.50	12.00	28000		1000
	E*1P19A	80G2UH070AV12	14.50	12.00	28000		1000
	E*1P23A	80G1DF045AE12	14.50	12.00	28000		1000
	E*1P23A	80G1UH045AE12	14.50	12.00	28000		1000
	E*1P23A	80G2UH070AV12	15.10	13.00	28000		1000
	E*1P29A	80G1DF045AE12	15.10	13.00	28000		1000
	E*1P29A	80G2UH070AV12	15.10	13.00	28000		1000
	E*1P29B	80G2UH090BV16	15.10	13.00	28000		1000
	E*1P29B	95G1DF045BE12	15.10	13.00	28000		1000
	E*1P29B	95G1DF070BE16	15.10	13.00	28000		1000
	E*1P29B	95G1DF090BE16	15.10	13.00	28000		1000
	E*1P29B	95G1UH045BE12	15.10	13.00	28000		1000
	E*1P29B	95G1UH070BE12	15.10	13.00	28000		1000
	E*1P29B	95G1UH090BE16	15.10	13.00	28000		1000
	E*1P29B	95G2DF045BE12	15.10	13.00	28000		980
	E*1P29B	95G2DF070BE16	15.10	13.00	28000		1000
	E*1P29B	95G2DF090BE16	15.10	13.00	28000		990
	E*1P29B	95G2UH045BE12	15.10	13.00	28000		1000
	E*1P29B	95G2UH070BE12	15.10	13.00	28000		1000
	E*1P29B	95G2UH090BE16	15.10	13.00	28000		1000
	E*1P29B	95G2DF045BV12	15.10	13.00	28000		960
	E*1P29B	95G2DF070BV16	15.10	13.00	28000		1000
	E*1P29B	95G2UH045BV12	15.10	13.00	28000		980
	E*1P29B	95G2UH070BV12	15.10	13.00	28000		960
E*1P29B	80G1DF070BE12	15.10	13.00	28000	1000		
E*1P29B	80G1DF090BE16	15.10	13.00	28000	1000		

Note:

1 Certified in accordance with Unitary Air Conditioner Certification Program, which is based on AHRI Standard 210/240

2 Required to achieve AHRI rating. If NA (Not Applicable) is in the piston column, then TXV is required

3 A blower time delay relay is required to achieve AHRI rating. This feature is standard on all Allied Air Enterprises furnace and AH products.

COOLING PERFORMANCE WITH AIR HANDLERS AND FURNACES

Outdoor Model	Indoor Model	Variable Speed Furnace	SEER	EER	AHRI Rated Capacity ¹ BTUH	Sensible Capacity BTUH	CFM
	Evap. Coil ³						
4AC14*R30P-6,-7	E*1P29B	80GIUH070BE12	15.10	13.00	28000	21000	1000
	E*1P29B	80GIUH090BE16	15.10	13.00	28000		1000
	E*1P29B	EFV12BC	14.50	12.20	28000		1000
	E*1P30A	80GIDF045AE12	14.50	12.20	28000		1000
	E*1P30A	80GIUH045AE12	14.50	12.20	28000		1000
	E*1P30A	80G2UH070AV12	15.10	13.00	28000		1000
	E*1P30B	80G2UH090BV16	15.10	13.00	28000		1000
	E*1P30B	95GIDF045BE12	14.50	12.20	28000		1000
	E*1P30B	95GIDF070BE16	14.50	12.20	28000		1000
	E*1P30B	95GIDF090BE16	14.50	12.20	28000		1000
	E*1P30B	95GIUH045BE12	14.50	12.20	28000		1000
	E*1P30B	95GIUH070BE12	14.50	12.20	28000		1000
	E*1P30B	95GIUH090BE16	14.50	12.20	28000		1000
	E*1P30B	95G2DF045BE12	14.50	12.20	28000		980
	E*1P30B	95G2DF070BE16	14.50	12.20	28000		1000
	E*1P30B	95G2DF090BE16	14.50	12.20	28000		990
	E*1P30B	95G2UH045BE12	14.50	12.20	28000		1000
	E*1P30B	95G2UH070BE12	14.50	12.20	28000		1000
	E*1P30B	95G2UH090BE16	14.50	12.20	28000		1000
	E*1P30B	95G2DF045BV12	15.10	13.00	28000		960
	E*1P30B	95G2DF070BV16	14.50	12.20	28000		1000
	E*1P30B	95G2UH045BV12	15.10	13.00	28000		980
	E*1P30B	95G2UH070BV12	15.10	13.00	28000		960
	E*1P30B	80GIUH070BE12	15.10	13.00	28000		1000
	E*1P30B	80GIUH090BE16	15.10	13.00	28000		1000
	E*1P30B	80GIDF070BE12	15.10	13.00	28000		1000
	E*1P30B	80GIDF090BE16	15.10	13.00	28000		1000
	E*1P30B	EFV12BC	14.25	12.20	28000		1000
	E*1P36A	80GIDF045AE12	15.10	13.00	28000		1000
	E*1P36A	80G2UH070AV12	16.00	13.00	28000		1000
	E*1P36B	80G2UH090BV16	16.00	13.00	28000		1000
	E*1P36B	95GIDF045BE12	15.10	13.00	28000		1000
	E*1P36B	95GIDF070BE16	15.10	13.00	28000		1000
	E*1P36B	95GIDF090BE16	15.10	13.00	28000		1000
	E*1P36B	95GIUH045BE12	15.10	13.00	28000		1000
	E*1P36B	95GIUH070BE12	15.10	13.00	28000		1000
	E*1P36B	95GIUH090BE16	15.10	13.00	28000		1000
	E*1P36B	95G2DF045BE12	15.10	13.00	28000		980
	E*1P36B	95G2DF070BE16	15.10	13.00	28000		1000
	E*1P36B	95G2DF090BE16	15.10	13.00	28000		990
E*1P36B	95G2UH045BE12	15.10	13.00	28000	1015		
E*1P36B	95G2UH070BE12	15.10	13.00	28000	995		
E*1P36B	95G2UH090BE16	14.50	12.20	28000	1000		
E*1P36B	95G2DF045BV12	15.10	13.00	28000	960		

Note:

1 Certified in accordance with Unitary Air Conditioner Certification Program, which is based on AHRI Standard 210/240

2 Required to achieve AHRI rating. If NA (Not Applicable) is in the piston column, then TXV is required

3 A blower time delay relay is required to achieve AHRI rating. This feature is standard on all Allied Air Enterprises furnace and AH products.

COOLING PERFORMANCE WITH AIR HANDLERS AND FURNACES

Outdoor Model	Indoor Model	Variable Speed Furnace	SEER	EER	AHRI Rated Capacity ¹ BTUH	Sensible Capacity BTUH	CFM
	Evap. Coil ²						
4AC14*R30P-6,-7	E*1P36B	95G2DF070BV16	15.10	13.00	28000	21000	1000
	E*1P36B	95G2UH045BV12	15.10	13.00	28000		980
	E*1P36B	95G2UH070BV12	16.00	13.00	28000		960
	E*1P36B	80G1DF070BE12	16.00	13.00	28000		1000
	E*1P36B	80G1DF090BE16	16.00	13.00	28000		1000
	E*1P36B	80G1UH070BE12	16.00	13.00	28000		1000
	E*1P36B	80G1UH090BE16	16.00	13.00	28000		1000
	E*1P36B	EFV12BC	14.50	12.20	28000		1000
	E*1P36C	95G2UH090CV12	16.00	13.00	28000		1000
	E*1P48A	80G1DF045AE12	15.10	13.00	28000		1000
	E*1P48A	80G2UH070AV12	15.10	13.00	28000		1000
	E*1P48B	80G2UH090BV16	15.10	13.00	28000		1000
	E*1P48B	95G1DF045BE12	15.10	13.00	28000		1000
	E*1P48B	95G1DF070BE16	15.10	13.00	28000		1000
	E*1P48B	95G1DF090BE16	15.10	13.00	28000		1000
	E*1P48B	95G1UH045BE12	15.10	13.00	28000		1000
	E*1P48B	95G1UH070BE12	15.10	13.00	28000		1000
	E*1P48B	95G1UH090BE16	15.10	13.00	28000		1000
	E*1P48B	95G2DF045BE12	15.10	13.00	28000		980
	E*1P48B	95G2DF070BE16	15.10	13.00	28000		1000
	E*1P48B	95G2DF090BE16	15.10	13.00	28000		1000
	E*1P48B	95G2UH045BE12	15.10	13.00	28000		1000
	E*1P48B	95G2UH070BE12	15.10	13.00	28000		1000
	E*1P48B	95G2UH090BE16	15.10	13.00	28000		1000
	E*1P48B	95G2DF045BV12	15.10	13.00	28000		960
	E*1P48B	95G2DF070BV16	15.10	13.00	28000		1000
	E*1P48B	95G2UH045BV12	15.10	13.00	28000		980
	E*1P48B	95G2UH070BV12	15.10	13.00	28000		960
	E*1P48B	80G1DF070BE12	15.10	13.00	28000		1000
	E*1P48B	80G1DF090BE16	15.10	13.00	28000		1000
	E*1P48B	80G1UH070BE12	15.10	13.00	28000		1000
	E*1P48B	80G1UH090BE16	15.10	13.00	28000		1000
E*1P48B	EFV12BC	14.50	12.20	28000	1000		
4AC14*36P-6,-7	BC*3M36C****P		14.00	12.20	34000	25500	1200
	BC*3M36E****X		14.00	12.20	34000		1200
	BCS2M36V****P		16.00	13.00	34000		1200
	E*1P36A	80G2UH070AV12	15.10	13.00	34000		1200
	E*1P36A	80G1UH045AE12	14.50	12.20	34000		1200
	E*1P36B	80G1UH090BE16	15.10	13.00	34000		1180
	E*1P36B	95G2DF045BE12	14.50	12.20	34000		1180
	E*1P36B	95G2DF070BE16	14.50	12.20	34000		1200
	E*1P36B	95G2DF090CE20	15.10	13.00	34000		1180
	E*1P36B	95G2DF110CE20	15.10	13.00	34000		1190
E*1P36B	95G2UH045BE12	14.50	12.20	34000	1190		

Note:

1 Certified in accordance with Unitary Air Conditioner Certification Program, which is based on AHRI Standard 210/240

2 Required to achieve AHRI rating. If NA (Not Applicable) is in the piston column, then TXV is required

3 A blower time delay relay is required to achieve AHRI rating. This feature is standard on all Allied Air Enterprises furnace and AH products.

COOLING PERFORMANCE WITH AIR HANDLERS AND FURNACES

Outdoor Model	Indoor Model	Variable Speed Furnace	SEER	EER	AHRI Rated Capacity ¹ BTUH	Sensible Capacity BTUH	CFM
	Evap. Coil ³						
4AC14*36P-6,-7	E*1P36B	95G2UH070BE12	14.50	12.20	34000	25500	1200
	E*1P36B	95G2DF045BV12	15.10	13.00	34000		1200
	E*1P36B	95G2DF070BV16	15.10	13.00	34000		1200
	E*1P36B	95G2UH045BV12	15.10	13.00	34000		1200
	E*1P36B	95G2UH070BV12	15.10	13.00	34000		1200
	E*1P36B	80G2UH090BV16	16.00	13.00	34000		1200
	E*1P36B	95G1DF045BE12	14.50	12.20	34000		1200
	E*1P36B	95G1DF070BE16	14.50	12.20	34000		1200
	E*1P36B	95G1UH045BE12	14.50	12.20	34000		1200
	E*1P36B	95G1UH070BE12	14.50	12.20	34000		1200
	E*1P36B	80G1DF070BE12	14.50	12.20	34000		1200
	E*1P36B	80G1DF090BE16	15.10	13.00	34000		1200
	E*1P36B	95G2DF090CV20	16.00	13.00	34000		1200
	E*1P36C	95G2UH090CV12	16.00	13.00	34000		1200
	E*1P36C	95G2UH090CE16	16.00	13.00	34000		1200
	E*1P36C	80G1DF110CE20	16.00	13.00	34000		1200
	E*1P36C	EFV12BC	15.10	13.00	34000		1200
	E*1P36C	EFV16BC	15.10	13.00	34000		1200
	E*1P36C	95G1UH090CE16	15.10	13.00	34000		1200
	E*1P36C	95G1UH110CE20	15.10	13.00	34000		1200
	E*1P36C	95G1DF090CE16	15.10	13.00	34000		1200
	E*1P36C	95G1DF110CE20	15.10	13.00	34000		1200
	E*1P36C	95G2UH110CE20	15.10	13.00	34000		1200
	E*1P36C	80G1UH090CE20	15.10	13.00	34000		1180
	E*1P43B	80G1DF070BE12	14.50	12.50	34000		1200
	E*1P43B	80G1DF090BE16	15.10	13.00	34000		1200
	E*1P43B	80G2UH090BV16	16.00	13.00	34000		1200
	E*1P43B	95G1DF045BE12	14.50	12.20	34000		1200
	E*1P43B	95G1DF070BE16	14.50	12.20	34000		1200
	E*1P43B	95G2DF045BV12	15.10	13.00	34000		1200
	E*1P43B	95G2DF070BV16	15.10	13.00	34000		1200
	E*1P43B	95G2UH045BV12	15.10	13.00	34000		1200
	E*1P43B	95G2UH070BV12	14.50	12.50	34000		1200
	E*1P43B	80G1UH070BE12	14.50	12.20	34000		1200
	E*1P43B	80G1UH090BE16	14.50	12.50	34000		1180
	E*1P43B	95G1UH045BE12	14.50	12.20	34000		1200
	E*1P43B	95G1UH070BE12	14.50	12.20	34000		1200
	E*1P43B	95G2DF045BE12	14.50	12.20	34000		1180
	E*1P43B	95G2UH045BE12	14.50	12.20	34000		1190
	E*1P43B	95G2UH070BE12	14.50	12.20	34000		1200
E*1P43C	95G2UH110CE20	15.10	13.00	34000	1200		
E*1P43C	95G2DF090CE20	15.10	13.00	34000	1180		
E*1P43C	95G2DF110CE20	15.10	13.00	34000	1190		
E*1P43C	95G1UH110CE20	15.10	13.00	34000	1200		

Note:

1 Certified in accordance with Unitary Air Conditioner Certification Program, which is based on AHRI Standard 210/240

2 Required to achieve AHRI rating. If NA (Not Applicable) is in the piston column, then TXV is required

3 A blower time delay relay is required to achieve AHRI rating. This feature is standard on all Allied Air Enterprises furnace and AH products.

COOLING PERFORMANCE WITH AIR HANDLERS AND FURNACES

Outdoor Model	Indoor Model	Variable Speed Furnace	SEER	EER	AHRI Rated Capacity ¹ BTUH	Sensible Capacity BTUH	CFM
	Evap. Coil ³						
4AC14*36P-6,-7	E*1P43C	80G1UH090CE20	14.50	12.50	34000	25500	1180
	E*1P43C	95G1UH090CE16	16.00	13.00	34000		1200
	E*1P43C	95G2UH090CE16	16.00	13.00	34000		1200
	E*1P43C	95G2DF090CV20	16.00	13.00	34000		1200
	E*1P43C	95G2UH090CV12	16.00	13.00	34000		1200
	E*1P43C	95G1DF090CE16	15.10	13.00	34000		1200
	E*1P43C	95G1DF110CE20	15.10	13.00	34000		1200
	E*1P43C	80G1DF110CE20	16.00	13.00	34000		1200
	E*1P43C	EFV12BC	15.10	13.00	34000		1200
	E*1P43C	EFV16BC	15.10	13.00	34000		1200
4AC14*R36P-6,-7	BC*3M36C****P		14.00	12.20	34000	25500	1200
	BC*3M36E****X		14.00	12.20	34000		1200
	BCS2M36V****P		16.00	13.00	34000		1200
	E*1P29B	80G1DF070BE12	14.50	12.20	34000		1220
	E*1P29B	80G1DF090BE16	15.10	13.00	34000		1200
	E*1P29B	80G1DF0110BE20	15.10	13.00	34000		1200
	E*1P29B	80G1UH090BE16	14.50	12.20	34000		1180
	E*1P29B	80G2UH090BV16	15.10	13.00	34000		1200
	E*1P29B	95G1DF045BE12	14.25	12.20	34000		1230
	E*1P29B	95G1UH045BE12	14.25	12.20	34000		1190
	E*1P29B	95G1UH070BE12	14.25	12.20	34000		1200
	E*1P29B	95G2DF045BE12	14.25	12.20	34000		1185
	E*1P29B	95G2UH045BE12	14.50	12.20	34000		1190
	E*1P29B	95G2UH070BE12	14.50	12.20	34000		1200
	E*1P29B	95G2DF045BV12	14.50	12.20	34000		1200
	E*1P29B	95G2DF070BV16	14.50	12.20	34000		1230
	E*1P29B	95G2UH045BV12	14.50	12.20	34000		1200
	E*1P29B	95G2UH070BV12	14.50	12.20	34000		1210
	E*1P36B	80G2UH090BV16	16.00	13.00	34000		1200
	E*1P36B	95G1DF045BE12	14.50	12.20	34000		1200
	E*1P36B	95G1DF070BE16	14.50	12.20	34000		1200
	E*1P36B	95G1UH045BE12	14.50	12.20	34000		1200
	E*1P36B	95G1UH070BE12	14.50	12.20	34000		1200
	E*1P36B	95G2DF045BE12	14.50	12.20	34000		1180
	E*1P36B	95G2DF070BE16	14.50	12.20	34000		1200
	E*1P36B	A95DF2E090C16	15.10	13.00	34000		1180
	E*1P36B	95G2DF110CE20	15.10	13.00	34000		1190
	E*1P36B	95G2UH045BE12	14.50	12.20	34000		1190
	E*1P36B	95G2UH070BE12	14.50	12.20	34000		1200
	E*1P36B	95G2DF045BV12	15.10	13.00	34000		1200
	E*1P36B	95G2DF070BV16	15.10	13.00	34000		1200
	E*1P36B	95G2UH045BV12	15.10	13.00	34000		1200
E*1P36B	95G2UH070BV12	15.10	13.00	34000	1200		
E*1P36B	80G1DF070BE12	14.50	12.20	34000	1200		

Note:

1 Certified in accordance with Unitary Air Conditioner Certification Program, which is based on AHRI Standard 210/240

2 Required to achieve AHRI rating. If NA (Not Applicable) is in the piston column, then TXV is required

3 A blower time delay relay is required to achieve AHRI rating. This feature is standard on all Allied Air Enterprises furnace and AH products.

COOLING PERFORMANCE WITH AIR HANDLERS AND FURNACES

Outdoor Model	Indoor Model	Variable Speed Furnace	SEER	EER	AHRI Rated Capacity ¹ BTUH	Sensible Capacity BTUH	CFM
	Evap. Coil ³						
4AC14*R36P-6,-7	E*1P36B	80G1DF090BE16	15.10	13.00	34000	25500	1200
	E*1P36B	80G1DF0110BE20	16.00	13.00	34000		1200
	E*1P36B	80G1UH090BE16	15.10	13.00	34000		1180
	E*1P36C	80G1UH090CE20	15.10	13.00	34000		1180
	E*1P36C	95G2UH110CE20	15.10	13.00	34000		1200
	E*1P36C	95G1UH090CE16	15.10	13.00	34000		1200
	E*1P36C	A95UH1E110C20	15.10	13.00	34000		1200
	E*1P36C	95G1DF090CE16	15.10	13.00	34000		1200
	E*1P36C	95G1DF110CE20	15.10	13.00	34000		1200
	E*1P36C	EFV12BC	15.10	13.00	34000		1200
	E*1P36C	EFV16BC	15.10	13.00	34000		1200
	E*1P43B	95G1UH045BE12	14.50	12.20	34000		1200
	E*1P43B	95G1UH070BE12	14.50	12.20	34000		1200
	E*1P43B	95G2DF045BE12	14.50	12.20	34000		1180
	E*1P43B	95G2UH045BE12	14.50	12.20	34000		1190
	E*1P43B	95G2UH070BE12	14.50	12.20	34000		1200
	E*1P43B	80G1DF070BE12	14.50	12.50	34000		1200
	E*1P43B	80G1DF090BE16	15.10	13.00	34000		1200
	E*1P43B	80G1DF0110BE20	16.00	13.00	34000		1200
	E*1P43B	80G1UH070BE12	14.50	12.20	34000		1200
	E*1P43B	80G1UH090BE16	14.50	12.50	34000		1180
	E*1P43B	80G2UH090BV16	16.00	13.00	34000		1200
	E*1P43B	95G1DF045BE12	14.50	12.20	34000		1200
	E*1P43B	95G1DF070BE16	14.50	12.20	34000		1200
	E*1P43B	95G2DF045BV12	15.10	13.00	34000		1200
	E*1P43B	95G2DF070BV16	15.10	13.00	34000		1200
	E*1P43B	95G2UH045BV12	15.10	13.00	34000		1200
	E*1P43B	95G2UH070BV12	14.50	12.50	34000		1200
	E*1P43C	95G1DF090CE16	15.10	13.00	34000		1200
	E*1P43C	95G1DF110CE20	15.10	13.00	34000		1200
	E*1P43C	80G1UH090CE20	14.50	12.50	34000		1180
	E*1P43C	95G2UH110CE20	15.10	13.00	34000		1200
	E*1P43C	A95DF2E090C16	15.10	13.00	34000		1180
	E*1P43C	95G2DF110CE20	15.10	13.00	34000		1190
	E*1P43C	A95UH1E110C20	15.10	13.00	34000		1200
	E*1P43C	EFV12BC	15.10	13.00	34000		1200
E*1P43C	EFV16BC	15.10	13.00	34000	1200		
4AC14L41P-6,-7	BC*3M42E****X		16.00	13.00	37000	28000	1380
	BCE3M36C****P+TXV		14.00	12.00	38000		1200
	BCS2M42V****P+TXV		16.00	13.00	38000		1400
	BCS3M42C****P		14.00	12.00	37000		1380
	BCS3M42C****P+TXV		14.00	12.00	38000		1200
	E(C,H,U)1P49C	80G2UH110CV20	15.10	12.50	38000		1400
	E(C,H,U)1P49C	95G1DF090CE16	15.10	12.50	38000		1400

Note:

1 Certified in accordance with Unitary Air Conditioner Certification Program, which is based on AHRI Standard 210/240

2 Required to achieve AHRI rating. If NA (Not Applicable) is in the piston column, then TXV is required

3 A blower time delay relay is required to achieve AHRI rating. This feature is standard on all Allied Air Enterprises furnace and AH products.

COOLING PERFORMANCE WITH AIR HANDLERS AND FURNACES

Outdoor Model	Indoor Model	Variable Speed Furnace	SEER	EER	AHRI Rated Capacity ¹ BTUH	Sensible Capacity BTUH	CFM
	Evap. Coil ²						
4AC14L41P-6,-7	E(C,H,U)1P49C	80G1UH090CE20	15.10	12.50	38000	28000	1400
	E(C,H,U)1P49C	80G1UH110CE20	15.10	12.50	38000		1400
	E(C,H,U)1P49C	80G1DF110CE20	15.10	12.50	38000		1400
	E(C,H,U)1P49C	95G1DF110CE20	15.10	12.50	38000		1400
	E(C,H,U)1P49C	95G1UH090CE16	16.00	13.00	38000		1350
	E(C,H,U)1P49C	95G2DF090CV20	15.10	12.50	38000		1400
	E(C,H,U)1P49C	95G2DF110CV20	15.10	12.50	38000		1400
	E(C,H,U)1P49C	95G2UH090CV20	15.10	12.50	38000		1400
	E(C,H,U)1P49C	95G2UH110CV20	15.10	12.50	38000		1400
	E(C,H,U)1P49C	95G2DF110CE20	15.10	12.50	38000		1400
	E(C,H,U)1P49C	95G2UH090CE16	16.00	13.00	38000		1350
	E(C,H,U)1P49C	95G2UH110CE20	15.10	12.50	38000		1400
	E(C,H,U)1P49C	95G2DF090CE16	15.10	12.50	38000		1400
	E(C,H,U)1P49C	95G1UH110CE20	15.10	12.50	38000		1400
	E(C,H,U)1P49C+TDR	EFV16CC	15.10	12.50	38000		1400
	E(C,H,U)1P49C+TXV	95G2UH110CV20	15.10	12.50	38000		1400
	E(C,H,U)1P49C+TXV	95G2DF090CE16	15.10	12.50	38000		1400
	E(C,H,U)1P49C+TXV	95G2DF110CE20	15.10	12.50	38000		1400
	E(C,H,U)1P49C+TXV	95G2UH090CE16	16.00	13.00	38000		1350
	E(C,H,U)1P49C+TXV	95G2UH110CE20	15.10	12.50	38000		1400
	E(C,H,U)1P49C+TXV	80G1DF110CE20	15.10	12.50	38000		1400
	E(C,H,U)1P49C+TXV	80G1UH090CE20	15.10	12.50	38000		1400
	E(C,H,U)1P49C+TXV	80G1UH110CE20	15.10	12.50	38000		1400
	E(C,H,U)1P49C+TXV	80G2UH110CV20	15.10	12.50	38000		1400
	E(C,H,U)1P49C+TXV	95G1DF090CE16	15.10	12.50	38000		1400
	E(C,H,U)1P49C+TXV	95G1DF110CE20	15.10	12.50	38000		1400
	E(C,H,U)1P49C+TXV	95G1UH090CE16	16.00	13.00	38000		1350
	E(C,H,U)1P49C+TXV	95G1UH110CE20	15.10	12.50	38000		1400
	E(C,H,U)1P49C+TXV	95G2DF090CV20	15.10	12.50	38000		1400
	E(C,H,U)1P49C+TXV	95G2DF110CV20	15.10	12.50	38000		1400
	E(C,H,U)1P49C+TXV	95G2UH090CV20	15.10	12.50	38000		1400
	E(C,H,U)1P49C+TXV+TDR	EFV16CC	15.10	12.50	38000		1400
	E(C,H,U)1P62C	80G1DF110CE20	15.10	12.50	38000		1400
	E(C,H,U)1P62C	80G1UH090CE20	15.10	12.50	38000		1400
	E(C,H,U)1P62C	80G1UH110CE20	15.10	12.50	38000		1400
	E(C,H,U)1P62C	95G2UH090CV20	15.10	12.50	38000		1400
	E(C,H,U)1P62C	95G2UH110CV20	15.10	12.50	38000		1400
	E(C,H,U)1P62C	95G1DF090CE16	15.10	12.50	38000		1400
	E(C,H,U)1P62C	95G1DF110CE20	15.10	12.50	38000		1400
	E(C,H,U)1P62C	95G1UH090CE16	16.00	13.00	38000		1350
E(C,H,U)1P62C	95G1UH110CE20	15.10	12.50	38000	1400		
E(C,H,U)1P62C	95G2DF090CV20	15.10	12.50	38000	1400		
E(C,H,U)1P62C	95G2DF110CV20	15.10	12.50	38000	1400		
E(C,H,U)1P62C	95G2DF090CE16	15.10	12.50	38000	1400		

Note:

1 Certified in accordance with Unitary Air Conditioner Certification Program, which is based on AHRI Standard 210/240

2 Required to achieve AHRI rating. If NA (Not Applicable) is in the piston column, then TXV is required

3 A blower time delay relay is required to achieve AHRI rating. This feature is standard on all Allied Air Enterprises furnace and AH products.

COOLING PERFORMANCE WITH AIR HANDLERS AND FURNACES

Outdoor Model	Indoor Model	Variable Speed Furnace	SEER	EER	AHRI Rated Capacity ¹ BTUH	Sensible Capacity BTUH	CFM
	Evap. Coil ³						
4AC14L41P-6,-7	E(C,H,U)1P62C	95G2DF110CE20	15.10	12.50	38000	28000	1400
	E(C,H,U)1P62C	95G2UH090CE16	16.00	13.00	38000		1350
	E(C,H,U)1P62C	95G2UH110CE20	15.10	12.50	38000		1400
	E(C,H,U)1P62C	80G2UH110CV20	15.10	12.50	38000		1400
	E(C,H,U)1P62C+TDR	EFV16CC	15.10	12.50	38000		1400
	E(C,H,U)1P62C+TXV	95G2DF090CE16	15.10	12.50	38000		1400
	E(C,H,U)1P62C+TXV	95G2DF110CE20	15.10	12.50	38000		1400
	E(C,H,U)1P62C+TXV	95G2UH090CE16	16.00	13.00	38000		1350
	E(C,H,U)1P62C+TXV	95G2UH110CE20	15.10	12.50	38000		1400
	E(C,H,U)1P62C+TXV	80G1DF110CE20	15.10	12.50	38000		1400
	E(C,H,U)1P62C+TXV	80G1UH090CE20	15.10	12.50	38000		1400
	E(C,H,U)1P62C+TXV	80G1UH110CE20	15.10	12.50	38000		1400
	E(C,H,U)1P62C+TXV	80G2UH110CV20	15.10	12.50	38000		1400
	E(C,H,U)1P62C+TXV	95G1DF090CE16	15.10	12.50	38000		1400
	E(C,H,U)1P62C+TXV	95G1DF110CE20	15.10	12.50	38000		1400
	E(C,H,U)1P62C+TXV	95G1UH090CE16	16.00	13.00	38000		1350
	E(C,H,U)1P62C+TXV	95G1UH110CE20	15.10	12.50	38000		1400
	E(C,H,U)1P62C+TXV	95G2DF090CV20	15.10	12.50	38000		1400
	E(C,H,U)1P62C+TXV	95G2DF110CV20	15.10	12.50	38000		1400
	E(C,H,U)1P62C+TXV	95G2UH090CV20	15.10	12.50	38000		1400
	E(C,H,U)1P62C+TXV	95G2UH110CV20	15.10	12.50	38000		1400
	E(C,H,U)1P62C+TXV+TDR	EFV16CC	15.10	12.50	38000		1400
E(C,H,U)1P62C+TXV+TDR		14.00	12.00	38000	1400		
4AC14*42P-6,-7	BC*3M42C****P		14.00	12.20	40000	30000	1400
	BC*3M42E****X		14.50	12.20	40000		1400
	BCS2M42V****P		15.10	12.20	40000		1400
	E*1P49C	EFV16CC	14.00	12.20	41000		1400
	E*1P49C	95G2UH110CV20	15.10	12.50	41000		1400
	E*1P49C	95G2UH090CV20	15.10	12.50	41000		1400
	E*1P49C	95G2UH110CE20	14.50	12.20	41000		1400
	E*1P49C	95G2UH090CE16	14.00	12.20	41000		1400
	E*1P49C	95G1UH110CE20	14.00	12.20	41000		1400
	E*1P49C	95G1UH090CE16	14.00	12.20	41000		1400
	E*1P49C	95G2DF110CV20	14.50	12.20	41000		1400
	E*1P49C	95G2DF090CV20	14.00	12.20	41000		1400
	E*1P49C	95G2DF110CE20	14.50	12.20	41000		1400
	E*1P49C	95G2DF090CE20	14.00	12.20	41000		1400
	E*1P49C	95G1DF110CE20	14.50	12.20	41000		1400
	E*1P49C	95G1DF090CE16	14.00	12.20	41000		1400
	E*1P49C	80G2UH110CV20	15.10	12.50	41000		1400
	E*1P49C	80G1UH110CE20	15.10	12.50	41000		1400
	E*1P49C	80G1UH090CE20	15.10	12.50	41000		1400
	E*1P49C	80G1DF110CE20	15.10	12.50	41000		1400
E*1P62C	EFV16CC	14.50	12.20	41000	1400		

Note:

1 Certified in accordance with Unitary Air Conditioner Certification Program, which is based on AHRI Standard 210/240

2 Required to achieve AHRI rating. If NA (Not Applicable) is in the piston column, then TXV is required

3 A blower time delay relay is required to achieve AHRI rating. This feature is standard on all Allied Air Enterprises furnace and AH products.

COOLING PERFORMANCE WITH AIR HANDLERS AND FURNACES

Outdoor Model	Indoor Model	Variable Speed Furnace	SEER	EER	AHRI Rated Capacity ¹ BTUH	Sensible Capacity BTUH	CFM
	Evap. Coil ³						
4AC14*42P-6,-7	E*1P62C	95G2UH110CV20	15.10	12.50	41000	30000	1400
	E*1P62C	95G2UH090CV20	15.10	12.50	41000		1400
	E*1P62C	95G2UH110CE20	15.10	12.50	41000		1400
	E*1P62C	95G2UH090CE16	14.00	12.20	41000		1400
	E*1P62C	95G1UH110CE20	14.00	12.20	41000		1400
	E*1P62C	95G1UH090CE16	14.00	12.20	41000		1400
	E*1P62C	95G2DF110CV20	14.50	12.20	41000		1400
	E*1P62C	95G2DF090CV20	14.50	12.20	41000		1400
	E*1P62C	95G2DF110CE20	15.10	12.50	41000		1400
	E*1P62C	95G2DF090CE20	14.00	12.20	41000		1400
	E*1P62C	95G1DF110CE20	15.10	12.50	41000		1400
	E*1P62C	95G1DF090CE16	14.00	12.20	41000		1400
	E*1P62C	80G2UH110CV20	15.10	12.50	41000		1400
	E*1P62C	80G1UH110CE20	15.10	12.50	41000		1400
	E*1P62C	80G1UH090CE20	15.10	12.50	41000		1400
	E*1P62C	80G1DF110CE20	15.10	12.50	41000		1400
	4AC14*R42P-6,-7	BC*3M42C****P		14.00	12.20		40000
BC*3M42E****X			14.50	12.20	40000	1400	
BCS2M42V****P			15.10	12.20	40000	1400	
E*1P43C			14.00	12.00	40000	1400	
E*1P43C		EFV16CC	14.00	12.00	41000	1400	
E*1P43C		95G2UH110CV20	15.10	13.00	41000	1400	
E*1P43C		95G2UH090CV20	14.50	12.00	41000	1400	
E*1P43C		95G2UH110CE20	14.00	12.00	41000	1400	
E*1P43C		95G2UH090CE16	14.00	12.00	41000	1400	
E*1P43C		A95UH1E110C20	14.00	12.00	41000	1400	
E*1P43C		95G1UH090CE16	14.00	12.00	41000	1400	
E*1P43C		95G2DF110CV20	14.00	12.00	41000	1400	
E*1P43C		95G2DF110CE20	14.50	12.00	41000	1400	
E*1P43C		A95DF2E090C16	14.00	12.00	41000	1400	
E*1P43C		95G1DF110CE20	14.50	12.00	41000	1400	
E*1P43C		95G1DF090CE16	14.00	12.00	41000	1400	
E*1P43C		80G2UH110CV20	14.50	12.00	41000	1400	
E*1P43C		80G1UH110CE20	15.10	13.00	41000	1400	
E*1P43C		80G1UH090CE20	15.10	13.00	41000	1400	
E*1P43C		80G1DF110CE20	15.10	13.00	41000	1400	
E*1P49C		95G2UH110CV20	15.10	12.50	41000	1400	
E*1P49C		95G2UH090CV20	15.10	12.50	41000	1400	
E*1P49C		95G2UH110CE20	14.50	12.20	41000	1400	
E*1P49C		95G2UH090CE16	14.00	12.20	41000	1400	
E*1P49C		A95UH1E110C20	14.00	12.20	41000	1400	
E*1P49C		95G1UH090CE16	14.00	12.20	41000	1400	
E*1P49C		95G2DF110CV20	14.50	12.20	41000	1400	
E*1P49C	95G2DF090CV20	14.00	12.20	41000	1400		

Note:

1 Certified in accordance with Unitary Air Conditioner Certification Program, which is based on AHRI Standard 210/240

2 Required to achieve AHRI rating. If NA (Not Applicable) is in the piston column, then TXV is required

3 A blower time delay relay is required to achieve AHRI rating. This feature is standard on all Allied Air Enterprises furnace and AH products.

COOLING PERFORMANCE WITH AIR HANDLERS AND FURNACES

Outdoor Model	Indoor Model	Variable Speed Furnace	SEER	EER	AHRI Rated Capacity ¹ BTUH	Sensible Capacity BTUH	CFM
	Evap. Coil ³						
4AC14*R42P-6,-7	E*1P49C	95G2DF110CE20	14.50	12.20	41000	30000	1400
	E*1P49C	A95DF2E090C16	14.00	12.20	41000		1400
	E*1P49C	95G1DF110CE20	14.50	12.20	41000		1400
	E*1P49C	95G1DF090CE16	14.00	12.20	41000		1400
	E*1P49C	80G2UH110CV20	15.10	12.50	41000		1400
	E*1P49C	80G1UH110CE20	15.10	12.50	41000		1400
	E*1P49C	80G1UH090CE20	15.10	12.50	41000		1400
	E*1P49C	80G1DF110CE20	15.10	12.50	41000		1400
	E*1P62C	EFV16CC	14.50	12.20	41000		1400
	E*1P62C	95G2UH110CV20	15.10	12.50	41000		1400
	E*1P62C	95G2UH090CV20	15.10	12.50	41000		1400
	E*1P62C	95G2UH110CE20	15.10	12.50	41000		1400
	E*1P62C	95G2UH090CE16	14.00	12.20	41000		1400
	E*1P62C	A95UH1E110C20	14.00	12.20	41000		1400
	E*1P62C	95G1UH090CE16	14.00	12.20	41000		1400
	E*1P62C	95G2DF110CV20	14.50	12.20	41000		1400
	E*1P62C	95G2DF110CE20	15.10	12.50	41000		1400
	E*1P62C	A95DF2E090C16	14.00	12.20	41000		1400
	E*1P62C	95G1DF110CE20	15.10	12.50	41000		1400
	E*1P62C	95G1DF090CE16	14.00	12.20	41000		1400
	E*1P62C	80G2UH110CV20	15.10	12.50	41000		1400
	E*1P62C	80G1UH110CE20	15.10	12.50	41000		1400
	E*1P62C	80G1UH090CE20	15.10	12.50	41000		1400
	E*1P62C	80G1DF110CE20	15.10	12.50	41000		1400
4AC14L47P-6,-7	BC*3M48C****P		14.00	12.00	45500	35000	1600
	BC*3M48E****X		16.00	13.00	45500		1600
	BCE3M48C****P+TXV		14.00	12.00	45500		1600
	BCS2M48V****P+TXV		16.00	13.00	46000		1600
	E(C,H,U)1P49C+TXV	95G2UH090CV20	15.10	12.50	46000		1600
	E(C,H,U)1P49C+TXV	95G2DF110CV20	14.50	12.00	46000		1600
	E(C,H,U)1P49C+TXV	95G2DF090CV20	14.50	12.00	46000		1600
	E(C,H,U)1P49C+TXV	95G2UH110CV20	15.00	12.50	46000		1600
	E(C,H,U)1P49C+TXV	95G1DF110CE20	15.10	12.50	46000		1500
	E(C,H,U)1P49C+TXV	95G1UH110CE20	15.10	12.50	46000		1500
	E(C,H,U)1P49C+TXV	95G2DF110CE20	15.10	12.50	46000		1500
	E(C,H,U)1P49C+TXV	95G2UH110CE20	16.00	13.00	46000		1500
	E(C,H,U)1P49C+TXV	80G1UH090CE20	16.00	13.00	46000		1700
	E(C,H,U)1P49C+TXV	80G2UH110CV20	16.00	13.00	46000		1600
	E(C,H,U)1P49C+TXV	80G1UH110CE20	15.10	12.50	46000		1700
	E(C,H,U)1P49C+TXV	80G1DF110CE20	16.00	13.00	46000		1550
	E(C,H,U)1P62C+TXV	95G2DF110CV20	14.50	12.00	46000		1600
	E(C,H,U)1P62C+TXV	80G2UH110CV20	16.00	13.00	46000		1600
E(C,H,U)1P62C+TXV	95G1DF110CE20	16.00	13.00	46000	1500		
E(C,H,U)1P62C+TXV	95G1UH110CE20	16.00	13.00	46000	1500		

Note:

1 Certified in accordance with Unitary Air Conditioner Certification Program, which is based on AHRI Standard 210/240

2 Required to achieve AHRI rating. If NA (Not Applicable) is in the piston column, then TXV is required

3 A blower time delay relay is required to achieve AHRI rating. This feature is standard on all Allied Air Enterprises furnace and AH products.

COOLING PERFORMANCE WITH AIR HANDLERS AND FURNACES

Outdoor Model	Indoor Model	Variable Speed Furnace	SEER	EER	AHRI Rated Capacity ¹ BTUH	Sensible Capacity BTUH	CFM
	Evap. Coil ²						
4AC14L47P-6,-7	E(C,H,U)1P62C+TXV	95G2UH110CV20	15.10	12.50	46000	35000	1600
	E(C,H,U)1P62C+TXV	95G2DF090CV20	14.50	12.00	46000		1600
	E(C,H,U)1P62C+TXV	95G2UH090CV20	15.10	12.50	46000		1600
	E(C,H,U)1P62C+TXV	95G2DF110CE20	15.10	12.00	46000		1500
	E(C,H,U)1P62C+TXV	95G2UH110CE20	15.10	12.50	46000		1500
	E(C,H,U)1P62C+TXV	80G1UH110CE20	16.00	13.00	46000		1700
	E(C,H,U)1P62C+TXV	80G1UH090CE20	16.00	13.00	46000		1700
	E(C,H,U)1P62C+TXV	80G1DF110CE20	16.00	13.00	46000		1550
	E(C,H,U)1P62C+TXV+TDR	EFV16CC	15.50	12.50	46000		1600
	E(C,H,U)1P62D+TXV	95G2UH135DV20	15.10	12.50	46000		1600
	E(C,H,U)1P62D+TXV	95G2UH135DE20	15.10	12.50	46000		1600
	E(C,H,U)1P62D+TXV	80G1UH135DE20	15.10	12.50	46000		1600
	E(C,H,U)1P62D+TXV	95G1UH135DE20	15.10	12.50	46000		1600
4AC14*48P-6,-7	BC*3M48C****P		14.00	12.00	46500	39500	1600
	BC*3M48E****X		15.10	12.50	46500		1600
	BCS2M48V****P		15.10	12.50	46500		1600
	BCS2M60V****P		15.00	12.50	47000		1600
	E*1P49C		14.00	12.00	46500		1600
	E*1P49C	80G2UH110CV20	14.50	12.00	46500		1600
	E*1P49C	95G2DF090CE20	14.50	11.50	46000		1600
	E*1P49C	95G2UH090CE16	14.50	11.50	46000		1600
	E*1P60D	80G1UH135DE20	14.50	12.00	46000		1600
	E*1P60D	95G2UH135DV20	14.50	12.00	46000		1600
	E*1P62C	80G2UH110CV20	14.50	12.00	46500		1600
	E*1P62C	95G2DF090CE20	14.50	11.50	46500		1600
	E*1P62C	95G2UH090CE16	14.50	11.50	46500		1600
	E*1P62D	95G2UH135DV20	14.50	12.00	46500		1600
	E*1P62D	80G1UH135DE20	14.50	12.00	46500		1600
4AC14L59P-6,-7	BC*3M48C****P		14.00	12.50	57000	41500	1800
	BC*3M60C****P		14.00	12.00	56500		1800
	BC*3M60E****X		14.50	12.00	56500		1800
	BCS2M48V****P		15.00	12.50	58000		1760
	BCS2M60V****P		14.00	12.00	57000		1800
	E*1P62C	95G1UH110CE20	14.50	12.50	58000		1770
	E*1P62C	80G1UH090CE20	15.10	12.50	58000		1790
	E*1P62C	80G1UH110CE20	14.50	12.50	58000		1800
	E*1P62C	80G1DF110CE20	15.10	12.50	58000		1870
	E*1P62D	95G2UH135DV20	14.50	12.50	58000		1800
	E*1P62D	80G1UH135DE20	15.10	12.50	58000		1800

Note:

1 Certified in accordance with Unitary Air Conditioner Certification Program, which is based on AHRI Standard 210/240

2 Required to achieve AHRI rating. If NA (Not Applicable) is in the piston column, then TXV is required

3 A blower time delay relay is required to achieve AHRI rating. This feature is standard on all Allied Air Enterprises furnace and AH products.

COOLING PERFORMANCE WITH AIR HANDLERS AND FURNACES

Outdoor Model	Indoor Model	Variable Speed Furnace	SEER	EER	AHRI Rated Capacity ¹ BTUH	Sensible Capacity BTUH	CFM
	Evap. Coil ³						
4AC14*60P-6,-7	BC*3M60C****P		14.00	12.00	58000	42000	1800
	BCS2M60V****P		14.00	12.00	58000		1800

Note:

1 Certified in accordance with Unitary Air Conditioner Certification Program, which is based on AHRI Standard 210/240

2 Required to achieve AHRI rating. If NA (Not Applicable) is in the piston column, then TXV is required

3 A blower time delay relay is required to achieve AHRI rating. This feature is standard on all Allied Air Enterprises furnace and AH products.

COOLING PERFORMANCE WITH EXTENDED RATINGS

Outdoor Model	Indoor Model	Indoor Temp DB/ WB °F	Outdoor Temperature - DB °F														
			65°			82°			95°			105°			115°		
			Btuh	S/T	kW	Btuh	S/T	kW	Btuh	S/T	kW	Btuh	S/T	kW	Btuh	S/T	kW
4AC14*18P-6, 7	E*IP23	85/72	24,600	0.61	1.24	23,500	0.63	1.47	22,600	0.64	1.65	20,800	0.68	1.85	19,000	0.71	2.04
		80/67	22,700	0.68	1.23	21,300	0.71	1.47	20,300	0.73	1.65	18,800	0.76	1.62	17,400	0.78	2.03
4AC14*R18P-6, 7		75/63	21,100	0.71	1.22	19,500	0.74	1.44	18,300	0.76	1.62	16,800	0.80	1.82	15,200	0.84	2.02
		75/57	18,721	1.00	1.20	17,800	1.00	1.44	17,000	1.00	1.62	15,700	1.00	1.82	14,400	1.00	2.02
4AC14*24P-6, 7	E*IP29	85/72	27,700	0.62	1.52	27,400	0.63	1.80	27,200	0.64	2.02	25,700	0.67	2.26	24,200	0.70	2.50
		80/67	26,300	0.69	1.51	25,600	0.71	1.79	25,000	0.73	2.00	23,300	0.77	1.62	20,700	0.80	2.49
4AC14*R24P-6, 7		75/63	25,500	0.71	1.50	23,900	0.74	1.78	22,600	0.77	1.99	21,000	0.80	2.24	19,500	0.83	2.48
		75/57	23,000	1.00	1.49	21,600	1.00	1.77	20,600	1.00	1.99	19,200	1.00	2.24	17,700	1.00	2.49
4AC14*30P-6, 7	E*IP29	85/72	32,000	0.59	1.52	30,900	0.63	2.02	30,000	0.66	2.41	28,400	0.70	2.67	26,800	0.74	2.94
		80/67	30,600	0.66	1.80	30,200	0.69	2.17	29,900	0.72	2.45	26,900	0.78	2.68	24,000	0.84	2.91
4AC14*R30P-6, 7		75/63	29,000	0.73	1.79	27,100	0.77	2.12	25,700	0.80	2.37	23,600	0.84	2.63	21,400	0.88	2.89
		75/57	26,500	1.00	1.79	24,900	1.00	2.13	23,700	1.00	2.38	22,000	1.00	2.64	20,200	1.00	2.89
4AC14*36P-6, 7	E*IP36B	85/72	41,200	0.62	2.18	39,000	0.64	2.56	37,300	0.66	2.86	35,300	0.69	3.20	33,200	0.71	3.54
		80/67	38,400	0.69	2.16	35,900	0.73	2.56	34,000	0.76	2.86	32,200	0.78	1.62	30,500	0.80	3.55
4AC14*R36P-6, 7		75/63	36,000	0.71	2.15	33,700	0.74	2.55	32,000	0.77	2.85	30,100	0.80	3.19	28,400	0.82	3.53
		75/57	30,600	1.00	2.14	29,500	1.00	2.54	28,700	1.00	2.85	27,500	1.00	3.18	26,100	1.00	3.51
4AC14L41P-6, 7	E*IP49C	85/72	46,000	0.75	1.71	43,733	0.77	2.02	42,000	0.79	2.26	39,700	0.82	2.59	37,400	0.84	2.91
		80/67	45,000	0.76	1.70	42,167	0.79	2.01	40,000	0.81	2.25	37,800	0.84	2.58	35,600	0.87	2.90
		75/63	42,500	0.77	1.69	40,233	0.80	2.00	38,500	0.83	2.24	36,650	0.86	2.57	34,800	0.89	2.89
		75/57	40,000	0.79	1.68	38,017	0.82	1.99	36,500	0.84	2.23	35,000	0.88	2.50	33,500	0.91	2.77
4AC14*42P-6, 7	E*IP49C	85/72	48,500	0.64	2.57	47,300	0.66	3.02	46,300	0.67	3.36	43,800	0.69	3.74	41,300	0.71	4.12
		80/67	46,500	0.70	2.56	44,000	0.73	3.01	42,200	0.75	3.35	39,500	0.78	1.62	36,800	0.81	4.06
4AC14*R42P-6, 7		75/63	43,700	0.74	2.54	41,000	0.76	2.97	39,000	0.78	3.31	36,000	0.82	3.65	32,800	0.85	4.00
		75/57	39,700	1.00	2.53	37,700	1.00	2.95	36,200	1.00	3.28	33,900	1.00	3.94	31,300	1.00	4.60
4AC14L47P-6, 7	E*IP62C	85/72	54,000	0.81	2.10	52,583	0.79	2.56	51,500	0.77	2.91	48,750	0.72	3.33	46,000	0.66	3.75
		80/67	53,000	0.82	2.00	50,733	0.80	2.51	49,000	0.79	2.90	46,500	0.81	3.33	44,000	0.83	3.75
		75/63	50,500	0.83	1.99	48,233	0.82	2.50	46,500	0.81	2.89	44,250	0.87	3.30	42,000	0.92	3.71
		75/57	47,000	0.85	1.98	44,733	0.84	2.49	43,000	0.83	2.88	41,500	0.90	3.29	40,000	0.97	3.70
4AC14*48P-6, 7	E*IP62C	85/72	56,600	0.63	2.99	54,107	0.66	55.36	52,200	0.68	3.88	49,050	0.70	4.29	45,900	0.72	4.70
		80/67	53,100	0.70	2.97	50,607	0.73	3.47	48,700	0.75	3.85	44,500	0.79	4.26	40,300	0.83	4.66
		75/63	50,600	0.72	2.94	46,633	0.76	3.44	43,600	0.79	3.82	39,500	0.84	4.24	35,400	0.88	4.66
		75/57	46,000	1.00	2.92	42,373	1.00	3.43	39,600	1.00	3.82	35,950	1.00	4.24	32,300	1.00	4.65
4AC14L59P-6, 7	E*IP62C	85/72	61,200	0.63	3.50	60,633	0.64	4.24	60,200	0.65	4.80	58,350	0.68	5.39	56,500	0.70	5.97
		80/67	59,500	0.69	3.50	58,933	0.71	4.21	58,500	0.72	4.75	54,600	0.75	5.34	50,700	0.78	5.93
		75/63	57,800	0.72	3.48	55,760	0.74	4.18	54,200	0.76	4.72	49,850	0.79	5.33	45,500	0.82	5.93
		75/57	53,500	1.00	3.44	51,120	1.00	4.15	49,300	1.00	4.70	44,700	0.92	5.31	40,100	0.83	5.91
4AC14*60P-6, 7	E*IP62C	85/72	66,300	0.64	4.41	63,600	0.67	4.89	61,600	0.70	5.27	57,900	0.72	5.46	54,200	0.73	5.42
		80/67	62,400	0.66	4.25	59,900	0.71	4.69	58,000	0.74	5.03	54,600	0.75	5.24	51,100	0.75	5.23
		75/63	57,800	0.70	4.03	55,500	0.74	4.50	53,700	0.77	4.87	50,600	0.79	5.06	47,300	0.81	5.04
		75/57	56,200	0.78	4.02	53,900	0.83	4.45	52,200	0.86	4.78	49,100	0.88	4.96	46,000	0.90	4.94

Extended data shown is actual for models listed and typical for all AHRI matches.

ACCESSORIES

Description	Where Used	Kit Number
Crankcase Heater	All models	93M04
Hard Start Kit	18	10J42
	24, 30, 36, 41, 42, 47, 48, 59, 60	88M91
Low Ambient Kit	All models	34M72
Short Cycle Protector	All models	47J27
Freezestat	3/8 tubing	93G35
	5/8 tubing	50A93
Time Delay Relay	All models	58M81
Loss of Charge Kit	All models	84M23 (factory installed)
Sound Blanket	18, 24, 30, 36, 41	14W00 (factory installed)
	42, 47, 48, 59, 60	14W01 (factory installed)
TXV Kit	18, 24, 30, 36	A4TXV01
	42, 48, 60	A4TXV02

Kit number needs to be the catalog number.

Exception to the above - TXV's, Elect. Heaters can be referred to by the model number.



1-800-448-5872

All specifications and illustrations subject to change without notice and without incurring obligations.