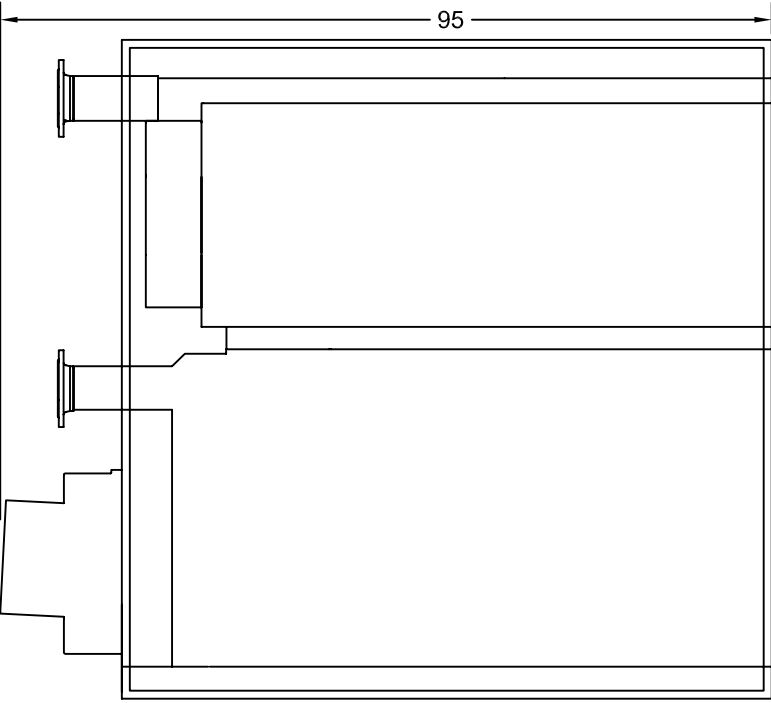
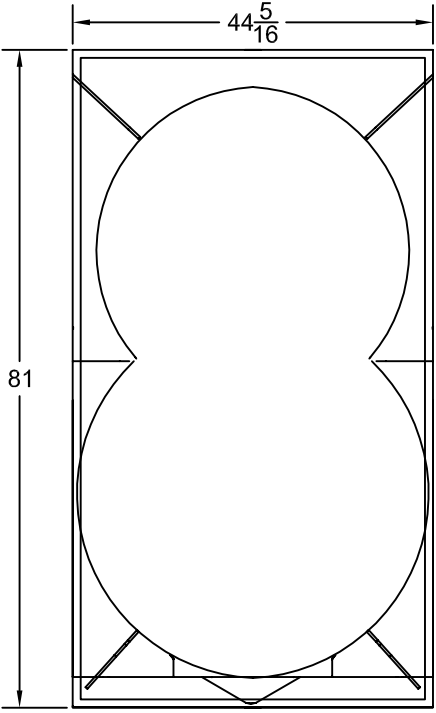


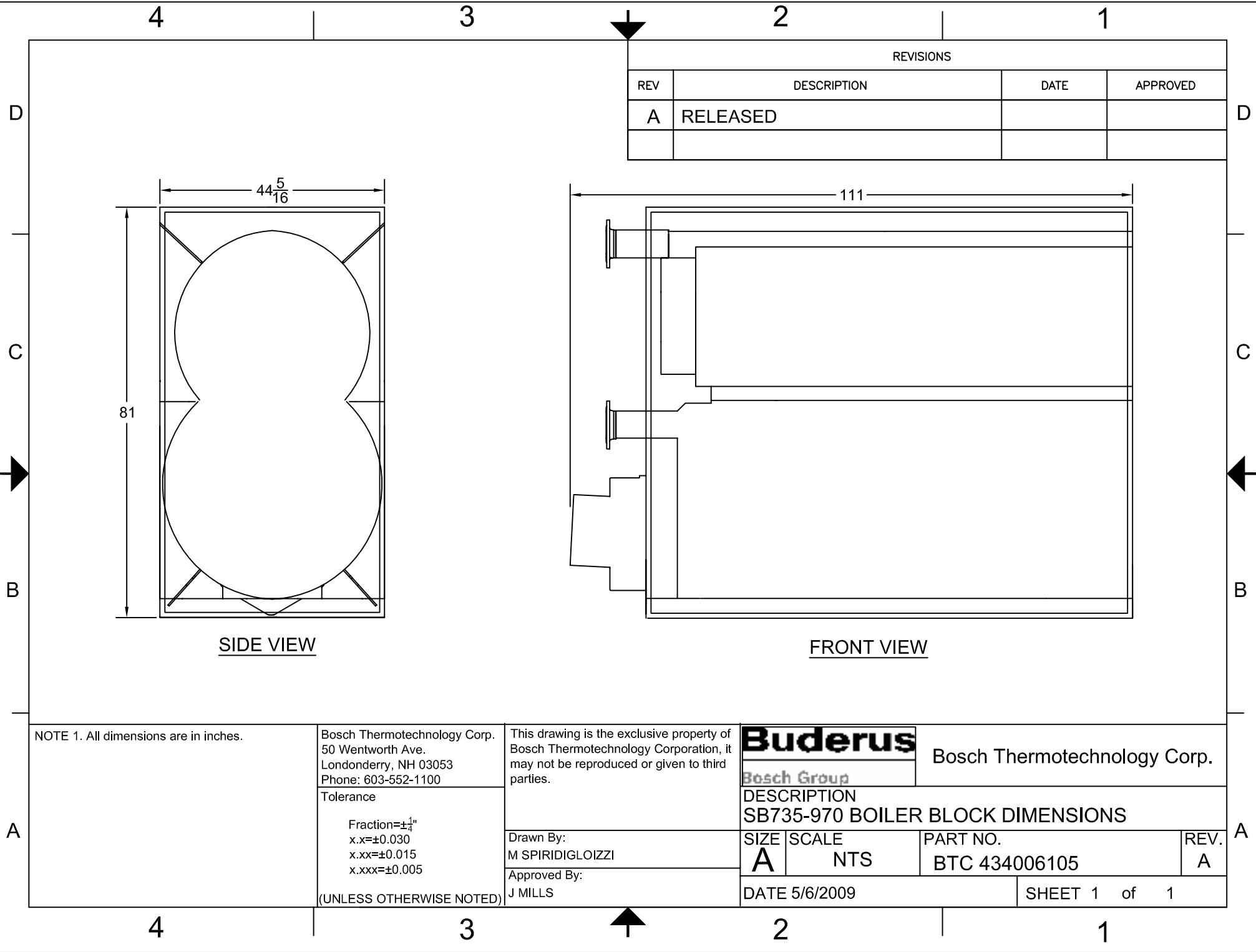
REVISIONS			
REV	DESCRIPTION	DATE	APPROVED
A	RELEASED		



SIDE VIEW

FRONT VIEW

NOTE 1. All dimensions are in inches.	Bosch Thermotechnology Corp. 50 Wentworth Ave. Londonderry, NH 03053 Phone: 603-552-1100	This drawing is the exclusive property of Bosch Thermotechnology Corporation, it may not be reproduced or given to third parties.	<b>Buderus</b>		Bosch Thermotechnology Corp.	
	Tolerance		Bosch Group			
	Fraction = $\pm\frac{1}{4}$ " x.x = $\pm 0.030$ x.xx = $\pm 0.015$ x.xxx = $\pm 0.005$	Drawn By: M SPIRIDIGLOZZI	DESCRIPTION SB735-790 BOILER BLOCK DIMENSIONS		REV. A	
	(UNLESS OTHERWISE NOTED)	Approved By: J MILLS	SIZE <b>A</b>	SCALE NTS	PART NO. BTC 434006104	DATE 5/6/2009



REVISIONS			
REV	DESCRIPTION	DATE	APPROVED
A	RELEASED		

SIDE VIEW

FRONT VIEW

NOTE 1. All dimensions are in inches.

Bosch Thermotechnology Corp.  
50 Wentworth Ave.  
Londonderry, NH 03053  
Phone: 603-552-1100

Tolerance  
Fraction =  $\pm\frac{1}{4}$ "  
x.x =  $\pm 0.030$   
x.xx =  $\pm 0.015$   
x.xxx =  $\pm 0.005$

(UNLESS OTHERWISE NOTED)

This drawing is the exclusive property of Bosch Thermotechnology Corporation, it may not be reproduced or given to third parties.

Drawn By:  
M SPIRIDIGLOZZI  
Approved By:  
J MILLS



Bosch Thermotechnology Corp.

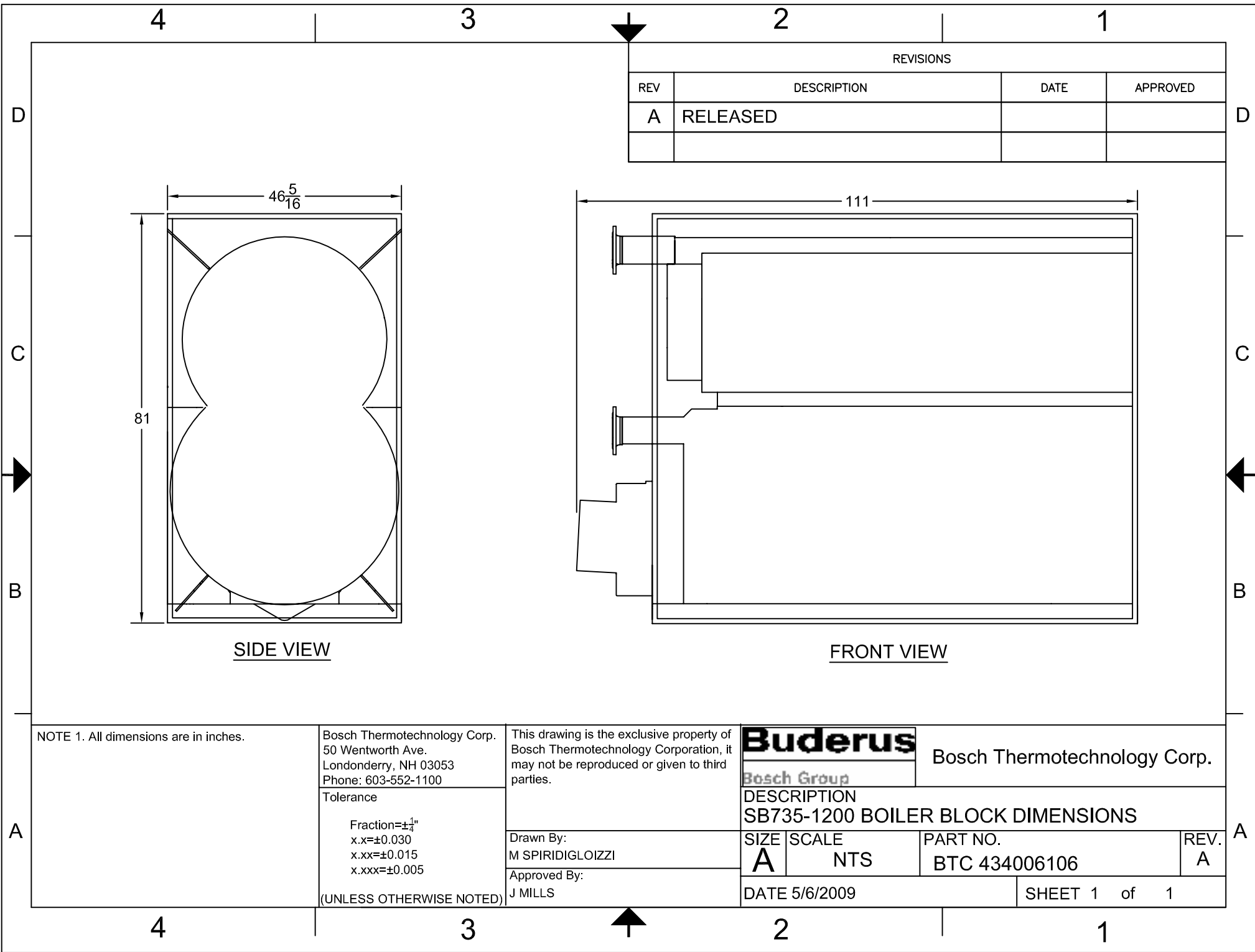
DESCRIPTION  
SB735-970 BOILER BLOCK DIMENSIONS

SIZE <b>A</b>	SCALE NTS	PART NO. BTC 434006105	REV. A
------------------	--------------	---------------------------	-----------

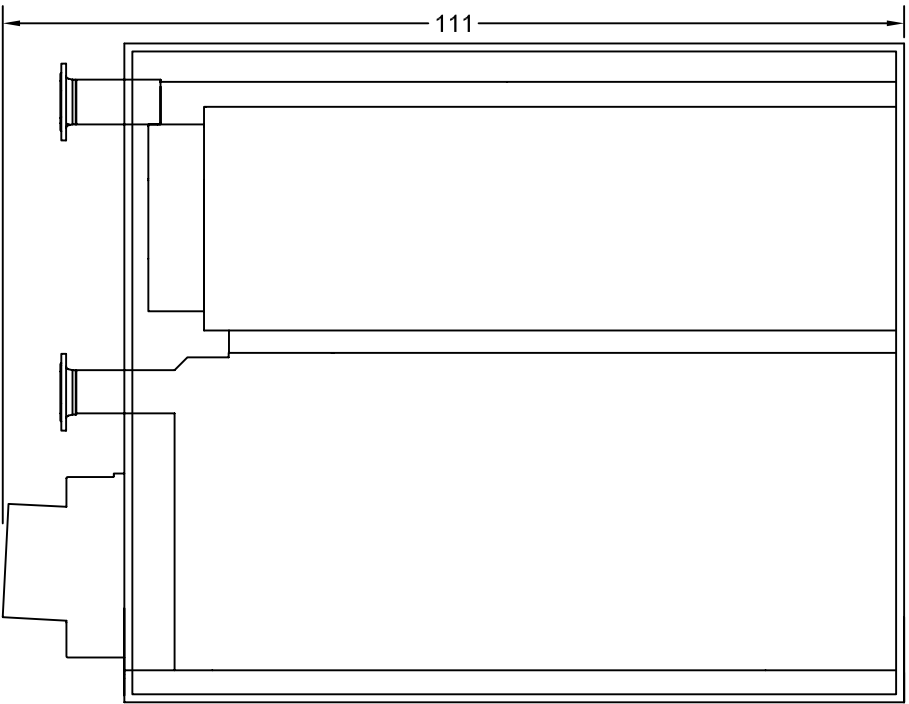
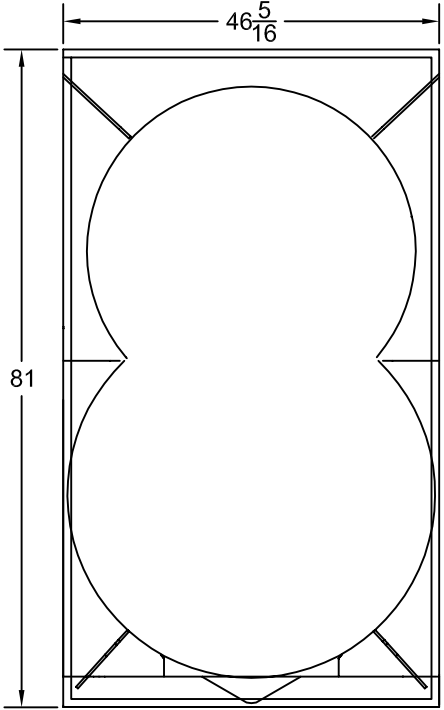
DATE 5/6/2009	SHEET 1 of 1
---------------	--------------

A

A



REVISIONS			
REV	DESCRIPTION	DATE	APPROVED
A	RELEASED		



NOTE 1. All dimensions are in inches.

Bosch Thermotechnology Corp.  
50 Wentworth Ave.  
Londonderry, NH 03053  
Phone: 603-552-1100

Tolerance  
Fraction =  $\pm\frac{1}{4}$ "  
x.x =  $\pm 0.030$   
x.xx =  $\pm 0.015$   
x.xxx =  $\pm 0.005$

(UNLESS OTHERWISE NOTED)

This drawing is the exclusive property of Bosch Thermotechnology Corporation, it may not be reproduced or given to third parties.

Drawn By:  
M SPIRIDIGLOZZI  
Approved By:  
J MILLS



Bosch Thermotechnology Corp.

DESCRIPTION  
SB735-1200 BOILER BLOCK DIMENSIONS

SIZE <b>A</b>	SCALE NTS	PART NO. BTC 434006106	REV. A
------------------	--------------	---------------------------	-----------

DATE 5/6/2009	SHEET 1 of 1
---------------	--------------