

4

3

2

1

REVISIONS

REV	DESCRIPTION	DATE	APPROVED
A	RELEASED		

D

D

C

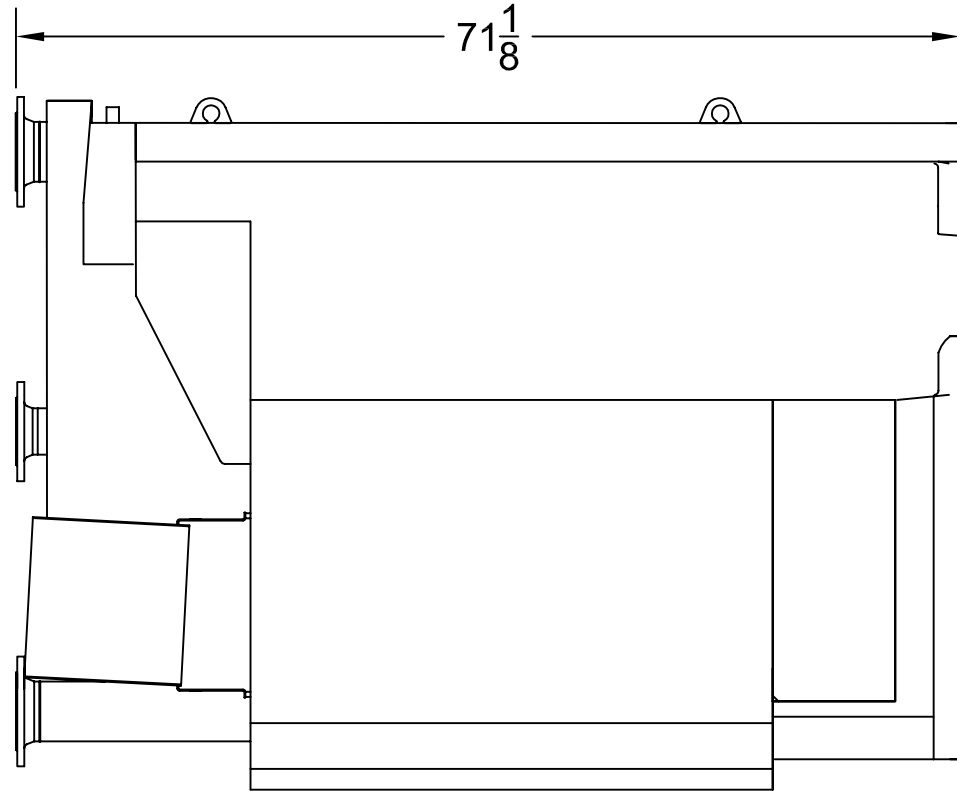
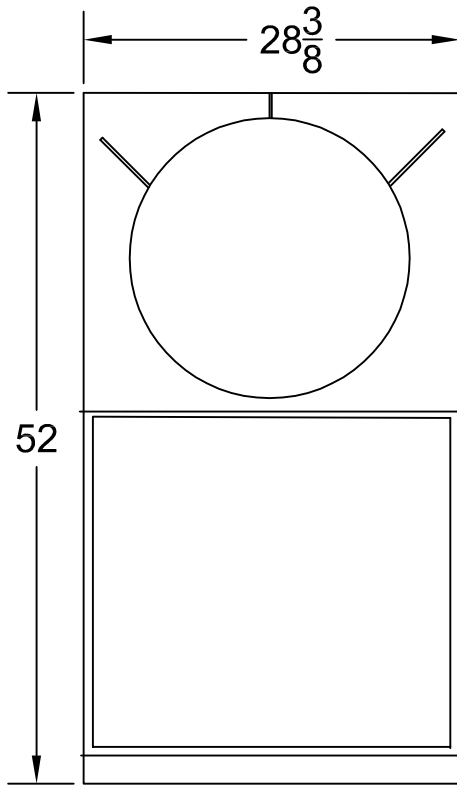
C

B

B

A

A



NOTE 1. All dimensions are in inches.

Bosch Thermotechnology Corp.
 50 Wentworth Ave.
 Londonderry, NH 03053
 Phone: 603-552-1100

Tolerance
 Fraction= $\pm\frac{1}{4}$ "
 x.x= ± 0.030
 x.xx= ± 0.015
 x.xxx= ± 0.005
 (UNLESS OTHERWISE NOTED)

This drawing is the exclusive property of Bosch Thermotechnology Corporation, it may not be reproduced or given to third parties.

Drawn By:
 M SPIRIDIGLOZZI
 Approved By:
 J MILLS

Buderus
 Bosch Group

Bosch Thermotechnology Corp.

DESCRIPTION
 SB615-145/185 BOILER BLOCK DIMENSIONS

SIZE A	SCALE NTS	PART NO. BTC 433006108	REV. A
------------------	--------------	---------------------------	-----------

DATE 5/6/2009

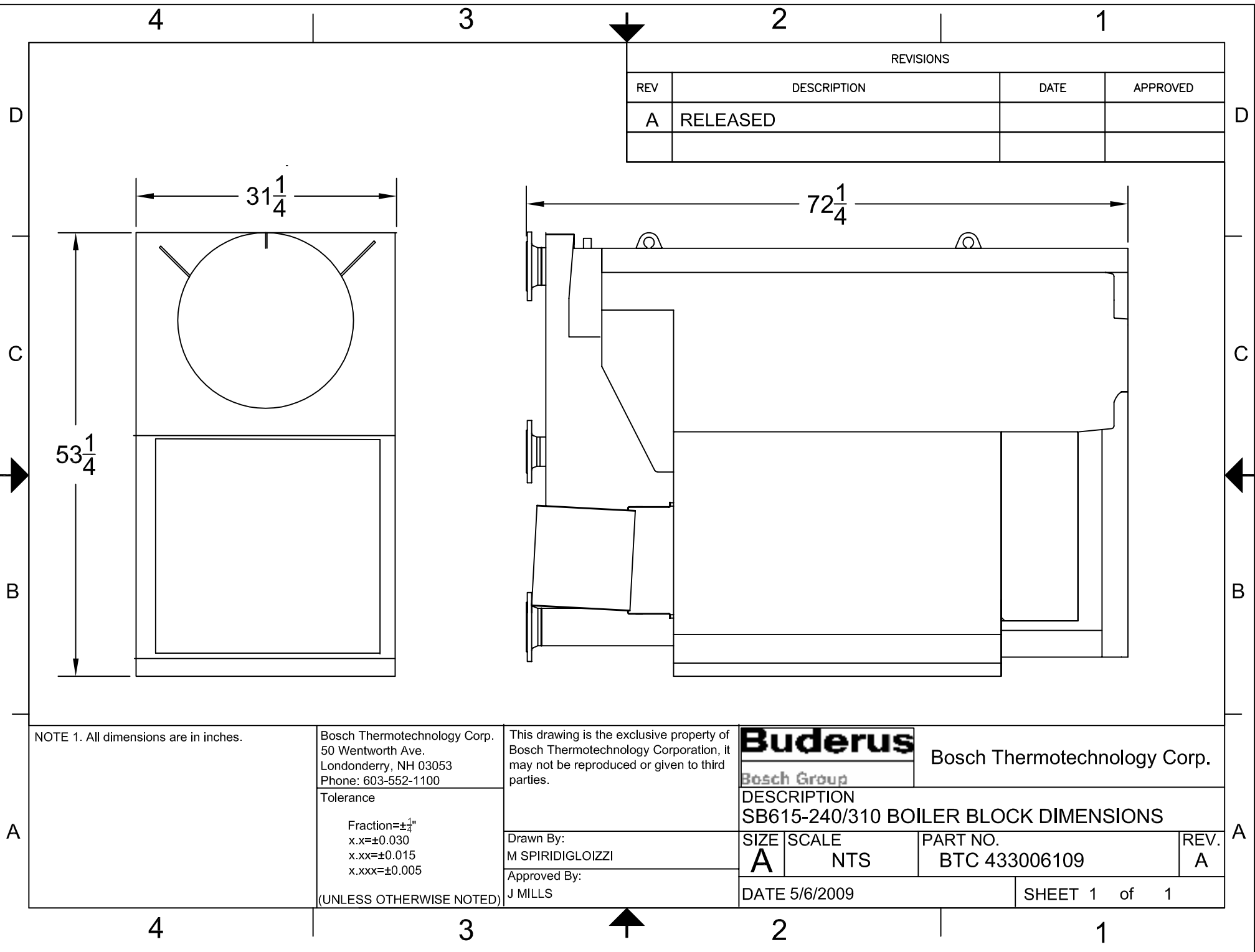
SHEET 1 of 1

4

3

2

1



NOTE 1. All dimensions are in inches.

Bosch Thermotechnology Corp.
 50 Wentworth Ave.
 Londonderry, NH 03053
 Phone: 603-552-1100

Tolerance

Fraction=±1/4"
 x.x=±0.030
 x.xx=±0.015
 x.xxx=±0.005

(UNLESS OTHERWISE NOTED)

This drawing is the exclusive property of Bosch Thermotechnology Corporation, it may not be reproduced or given to third parties.

Drawn By:
 M SPIRIDIGLOZZI

Approved By:
 J MILLS

Buderus

Bosch Group

Bosch Thermotechnology Corp.

DESCRIPTION
 SB615-240/310 BOILER BLOCK DIMENSIONS

SIZE
 A

SCALE
 NTS

PART NO.
 BTC 433006109

REV.
 A

DATE 5/6/2009

SHEET 1 of 1

4

3

2

1

REVISIONS

REV	DESCRIPTION	DATE	APPROVED
A	RELEASED		

D

D

C

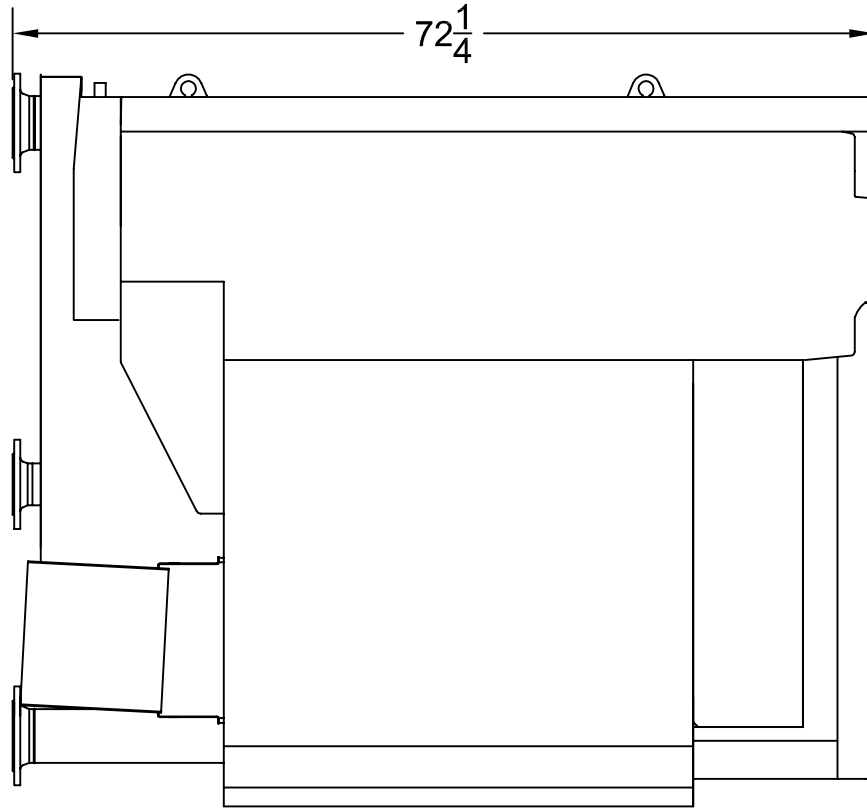
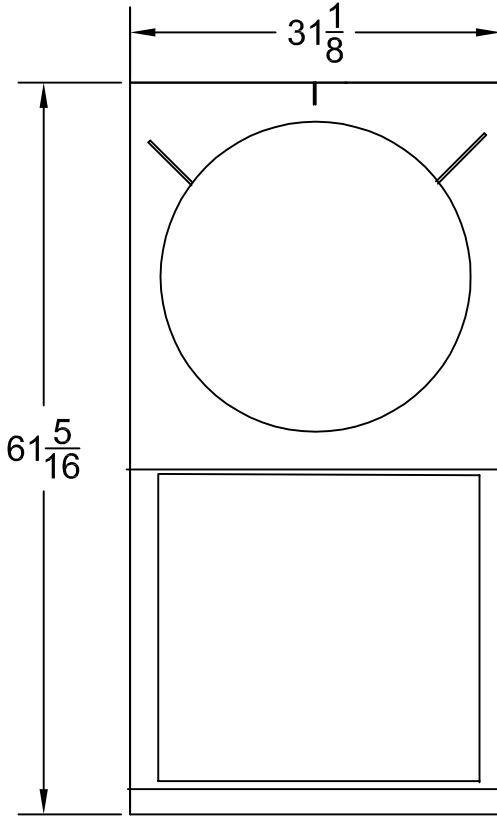
C

B

B

A

A



NOTE 1. All dimensions are in inches.

Bosch Thermotechnology Corp.
 50 Wentworth Ave.
 Londonderry, NH 03053
 Phone: 603-552-1100

This drawing is the exclusive property of Bosch Thermotechnology Corporation, it may not be reproduced or given to third parties.



Bosch Thermotechnology Corp.

Tolerance
 Fraction=±1/4"
 x.x=±0.030
 x.xx=±0.015
 x.xxx=±0.005

Drawn By:
 M SPIRIDIGLOZZI

Approved By:
 J MILLS

DESCRIPTION
 SB615-400 BOILER BLOCK DIMENSIONS

SIZE SCALE
 A NTS

PART NO.
 BTC 4330061010

REV.
 A

(UNLESS OTHERWISE NOTED)

DATE 5/6/2009

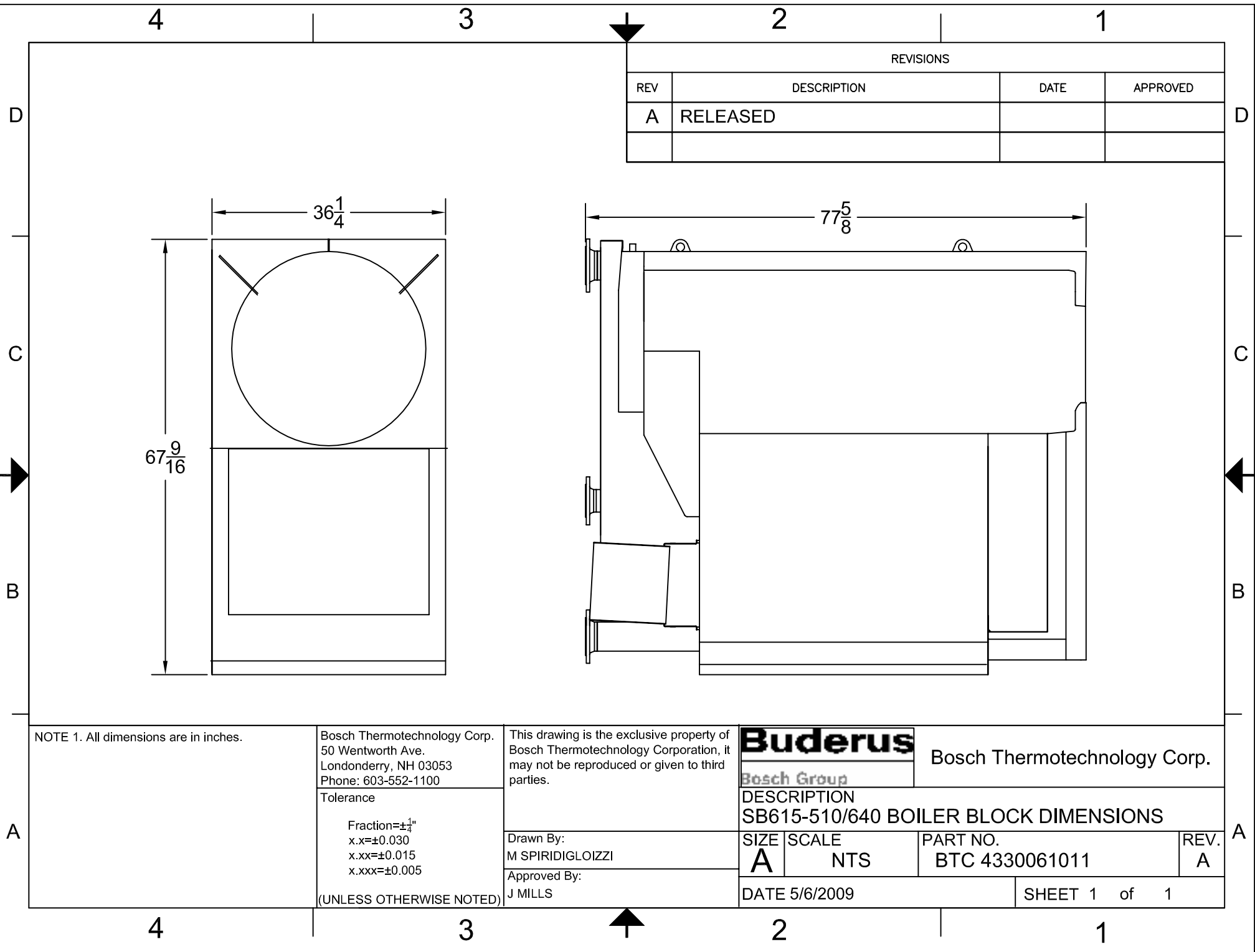
SHEET 1 of 1

4

3

2

1



NOTE 1. All dimensions are in inches.

Bosch Thermotechnology Corp.
 50 Wentworth Ave.
 Londonderry, NH 03053
 Phone: 603-552-1100

Tolerance
 Fraction = $\pm\frac{1}{4}$ "
 x.x = ± 0.030
 x.xx = ± 0.015
 x.xxx = ± 0.005
 (UNLESS OTHERWISE NOTED)

This drawing is the exclusive property of Bosch Thermotechnology Corporation, it may not be reproduced or given to third parties.

Drawn By:
 M SPIRIDIGLOZZI
 Approved By:
 J MILLS

Buderus
 Bosch Group

Bosch Thermotechnology Corp.

DESCRIPTION
 SB615-510/640 BOILER BLOCK DIMENSIONS

SIZE A	SCALE NTS	PART NO. BTC 4330061011	REV. A
DATE 5/6/2009		SHEET 1 of 1	