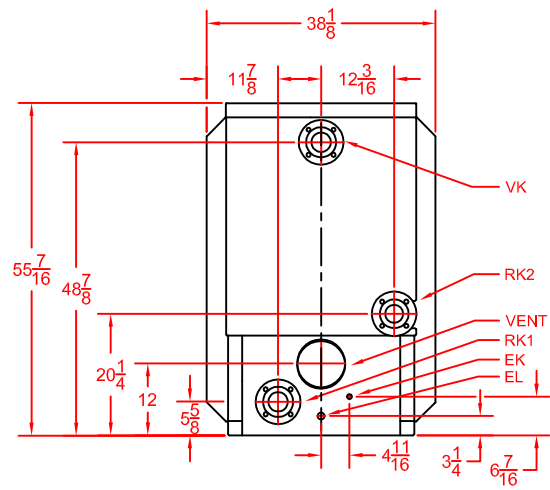
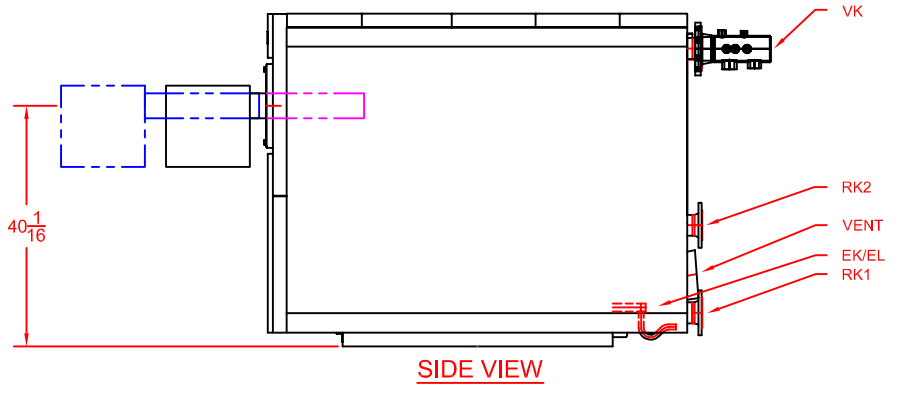
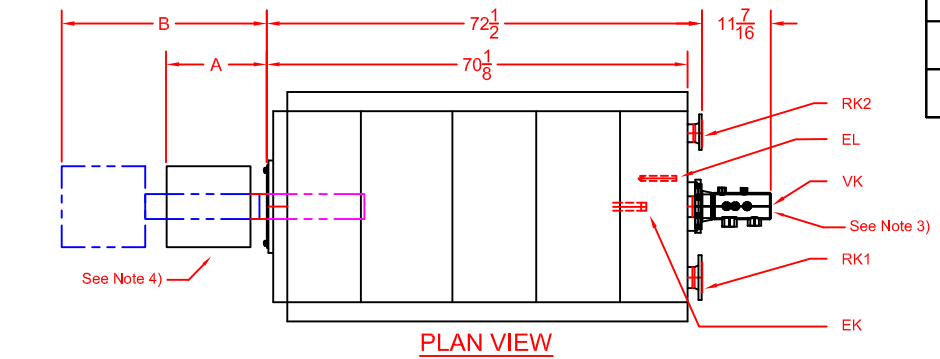


REVISIONS			
REV	DESCRIPTION	DATE	APPROVED
A	Released	5/12/2009	



SB615-240 KW (791 MBh)					
Make	Riello	Power Flame		Beckett	Power Flame 20 ppm
Model	RS28/M	J30A-10	C1-G-10	CG10.5S	NP2-G-120
A	22 13/16	22 1/4	30 7/8	18 1/2	38 1/8
B	36 5/8	25 1/4	34 1/8	25 1/2	53 3/8

Legend		
ABR.	Name	Size
VK	Supply	3
RK1	Return 1	2 1/2
RK2	Return 2	2 1/2
EK	Condensate Drain	3/4
EL	Boiler Drain	1

NOTE 1. 'A' Dimension is to the back of the burner.
 'B' Dimension is the extraction dimension.

2. All dimensions are in inches.
 3. Manifold provided, field assembly required.
 4. Burner shipped separately; field assembly required.

Bosch Thermotechnology Corp.
 50 Wentworth Ave.
 Londonderry, NH 03053
 Phone: 603-552-1100

Tolerance

Fraction=±1/4"
 x.x=±0.030
 x.xx=±0.015
 x.xxx=±0.005

(UNLESS OTHERWISE NOTED)

This drawing is the exclusive property of Bosch Thermotechnology Corporation, it may not be reproduced or given to third parties.

Drawn By:
 M SPIRIDIGLOZZI

Approved By:
 J MILLS

Buderus
 Bosch Group

Bosch Thermotechnology Corp.

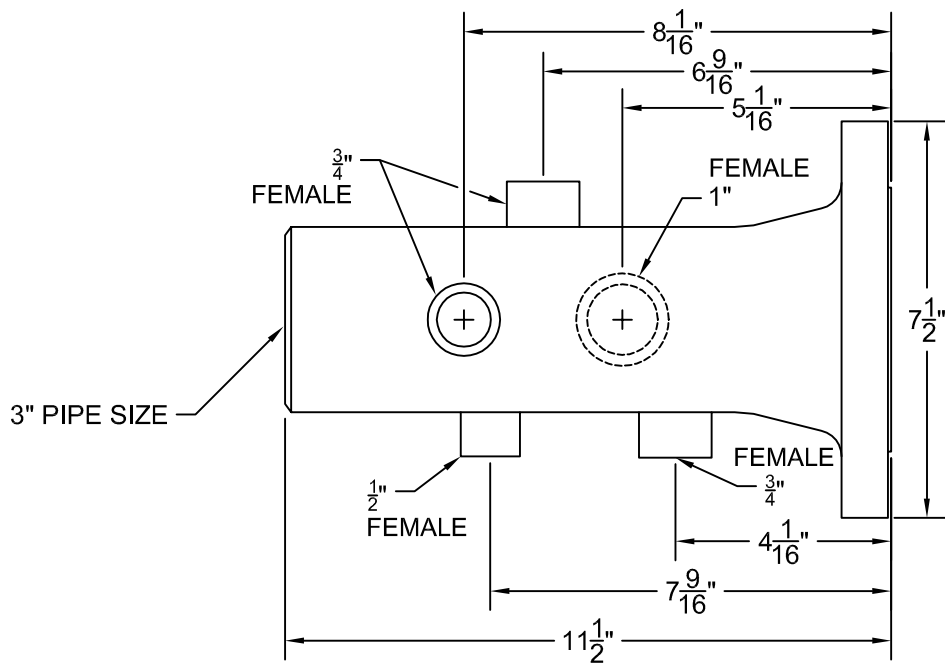
DESCRIPTION
SB615-240 BOILER BURNER SPECIFICATION

SIZE	SCALE	PART NO.	REV.
A	3/8" = 1'	BTC 433006103	A

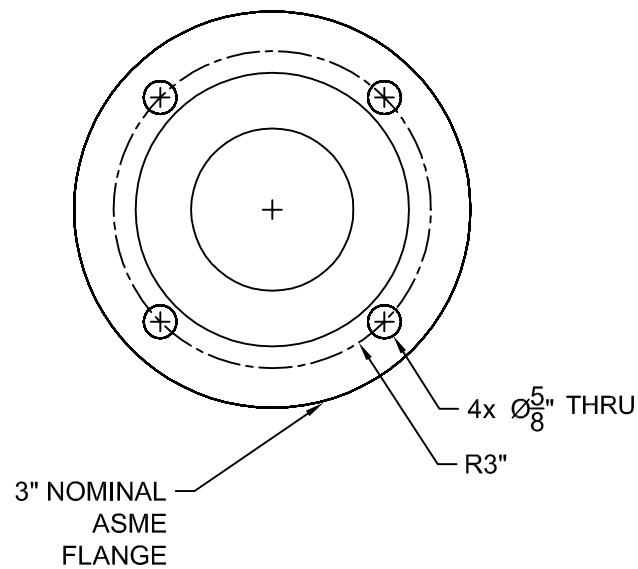
DATE 4/2/2009

SHEET 1 of 1

REVISIONS			
REV	DESCRIPTION	DATE	APPROVED
A	RELEASED	6/12/2009	



SIDE VIEW



END VIEW

NOTE
 1. All dimensions are in inches.
 2. All pipe sizes are NPT.

Bosch Thermotechnology Corp.
 50 Wentworth Ave.
 Londonderry, NH 03053
 Phone: 603-552-1100

Tolerance
 Fraction = ± 1/4"
 x.x = ± 0.030
 x.xx = ± 0.015
 x.xxx = ± 0.005

(UNLESS OTHERWISE NOTED)

This drawing is the exclusive property of Bosch Thermotechnology Corporation, it may not be reproduced or given to third parties.

Drawn By:
 M SPIRIDIGLOIZZI

Approved By:
 J MILLS



Bosch Thermotechnology Corp.

DESCRIPTION
 SB615-240/310 3" SUPPLY MANIFOLD SPECIFICATION

SIZE A	SCALE NTS	PART NO. BTC 433006113	REV. A
------------------	--------------	---------------------------	-----------

DATE 6/9/2009	SHEET 1 of 1
---------------	--------------