

4

3

2

1

D

D

C

C

B

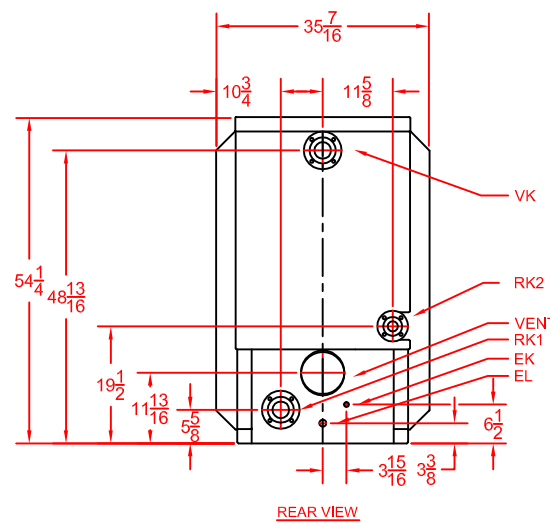
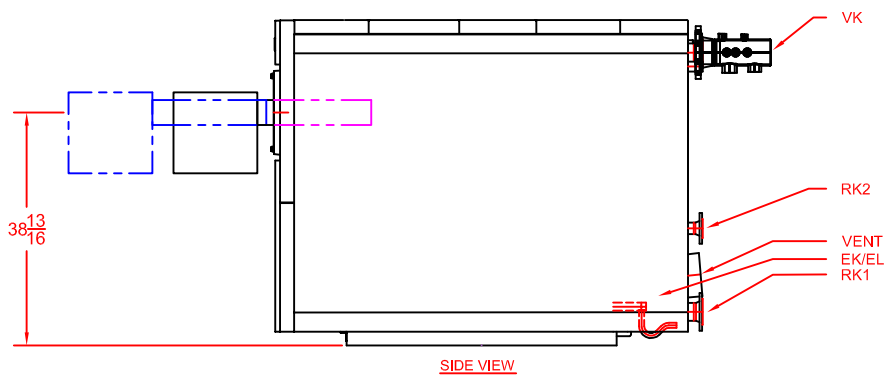
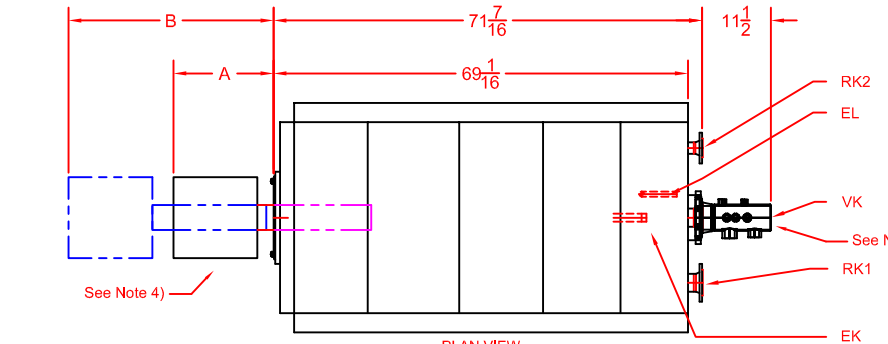
B

A

A

REVISIONS

REV	DESCRIPTION	DATE	APPROVED
A	Released	5/12/2009	



SB615-145 KW (484 MBh)					
Make	Riello	Power Flame	Beckett	Power Flame	20 ppm
Model	40G900	J15A-10	C1-G-10	CG10.3S	NP2-G-63
A	15 5/16	22 1/4	30 7/8	18 1/2	38 1/8
B	25 15/16	25 1/4	34 1/8	25 1/2	48 3/8

Legend		
ABR.	Name	Size
VK	Supply	2 1/2
RK1	Return 1	2
RK2	Return 2	2
EK	Condensate Drain	3/4
EL	Boiler Drain	1

NOTE 1. 'A' Dimension is to the back of the burner.
 'B' Dimension is the extraction dimension.

2. All dimensions are in inches.
 3. Manifold provided, field assembly required.
 4. Burner shipped separately; field assembly required.

Bosch Thermotechnology Corp.
 50 Wentworth Ave.
 Londonderry, NH 03053
 Phone: 603-552-1100

Tolerance

Fraction=±1/4"
 x.x=±0.030
 x.xx=±0.015
 x.xxx=±0.005

(UNLESS OTHERWISE NOTED)

This drawing is the exclusive property of Bosch Thermotechnology Corporation, it may not be reproduced or given to third parties.

Drawn By:
 M SPIRIDIGLOZZI

Approved By:
 J MILLS

Buderus
 Bosch Group

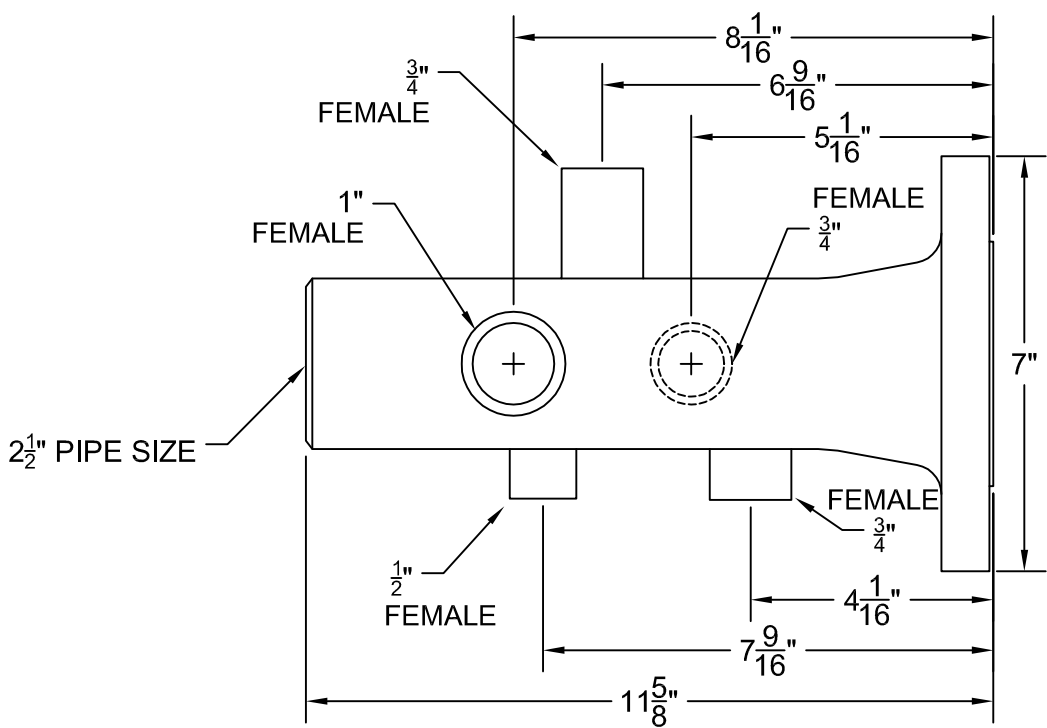
Bosch Thermotechnology Corp.

DESCRIPTION
 SB615-145 BOILER BURNER SPECIFICATION

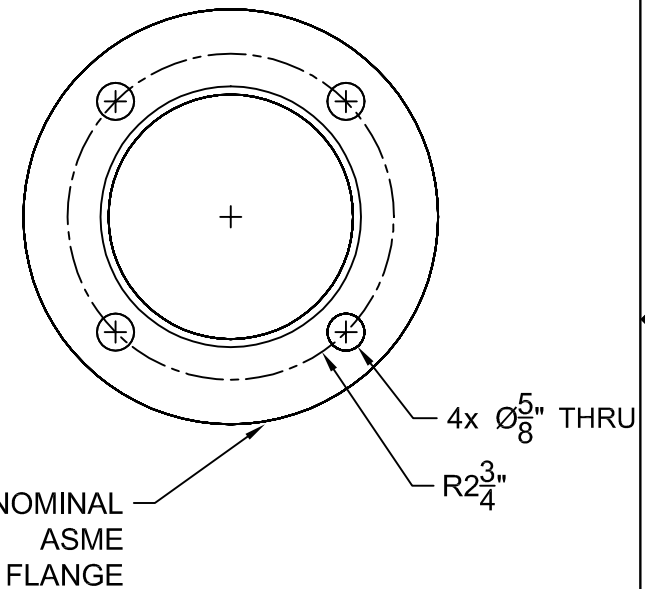
SIZE	SCALE	PART NO.	REV.
A	3/8" = 1'	BTC 433006101	A

DATE 4/2/2009 SHEET 1 of 1

REVISIONS			
REV	DESCRIPTION	DATE	APPROVED
A	RELEASED	6/12/2009	



SIDE VIEW



END VIEW

NOTE
 1. All dimensions are in inches.
 2. All pipe sizes are NPT.

Bosch Thermotechnology Corp.
 50 Wentworth Ave.
 Londonderry, NH 03053
 Phone: 603-552-1100

Tolerance

Fraction = ± 1/4"
 x.x = ± 0.030
 x.xx = ± 0.015
 x.xxx = ± 0.005

(UNLESS OTHERWISE NOTED)

This drawing is the exclusive property of Bosch Thermotechnology Corporation, it may not be reproduced or given to third parties.

Drawn By:
 M SPIRIDIGLOIZZI

Approved By:
 J MILLS

Buderus		Bosch Thermotechnology Corp.	
Bosch Group		DESCRIPTION	
SB735/145-185 2 1/2" SUPPLY MANIFOLD SPECIFICATION			
SIZE	SCALE	PART NO.	REV.
A	NTS	BTC 433006112	A
DATE 6/9/2009		SHEET 1 of 1	